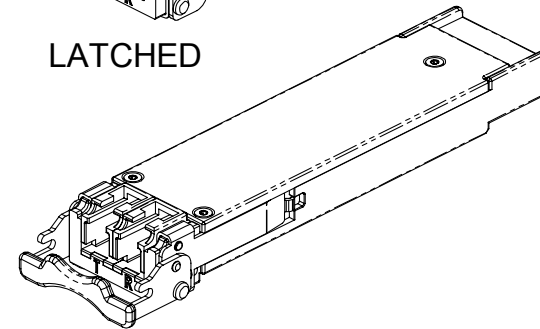


LATCHED



UNLATCHED