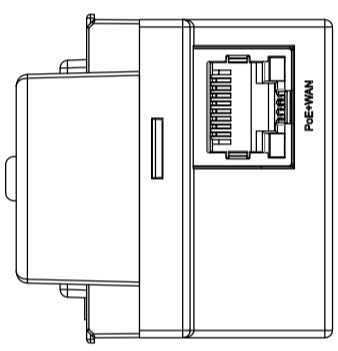
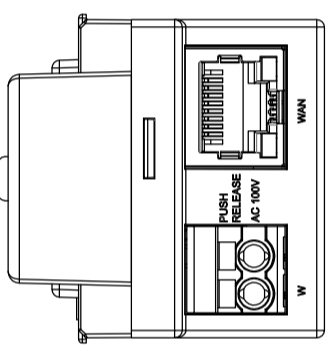


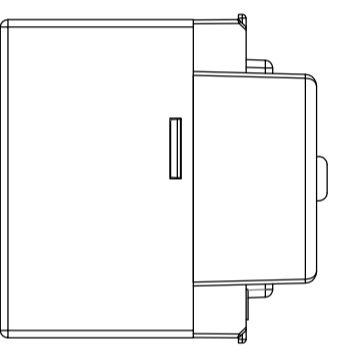
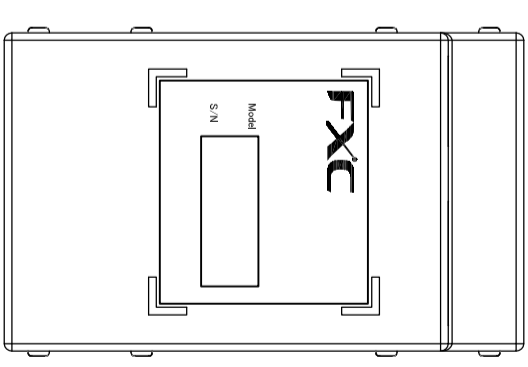
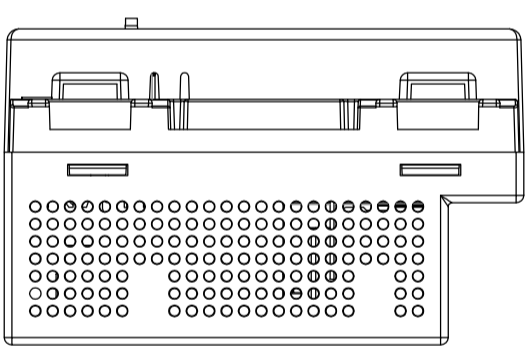
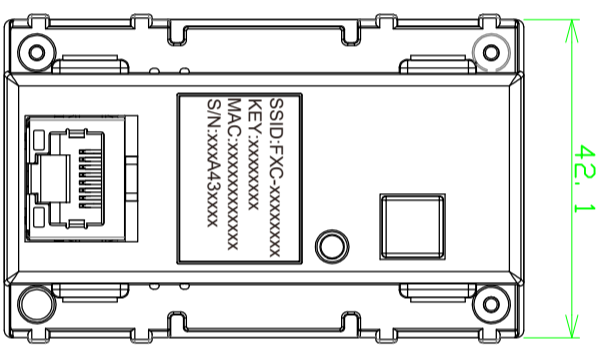
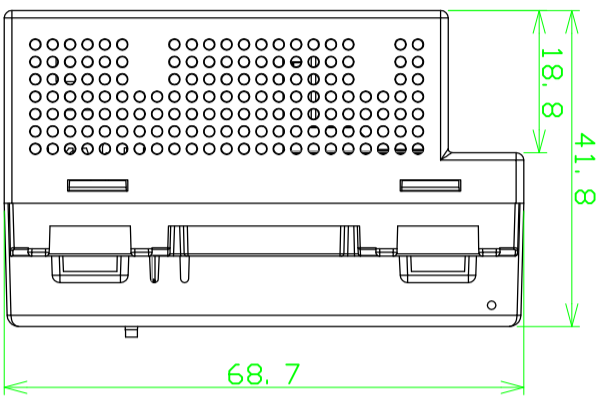
| REV | DATE | QUANTITY | DESCRIPTION | CHARGE | SEC |
|-----|------------|----------|-------------|-----------|-------|
| 01 | 2021/05/13 | 1 | 初版 | Nakashima | 開発技術課 |
| | | | | | |



AE1031PE-ai



AE1031-ai



| | | | | | | |
|----------|----------|------|-----------|---------------------------|----------|-------|
| APPROVAL | APPROVAL | SPEC | SCALE | PRODUCT NAME | FXC Inc. | |
| DRAWING | MATERIAL | | 1:1 | AE1031-ai/AE1031PE-ai | | |
| | FINISH | | mm | AE1031-ai/AE1031PE-ai/外觀図 | | |
| | | | DATE | DWG No. | | SHEET |
| | | | 2021/5/13 | A3-E11-0082-01 | | 1/1 |