

1

2

3

4

5

6

7

8

REV	DATE	QUANTITY	DESCRIPTION	CHARGE	SEC
01	2023/4/7		初版	Soeda	PL
02	2026/3/16		外觀変更に伴う図面変更	Soeda	PL

A

A

B

B

C

C

D

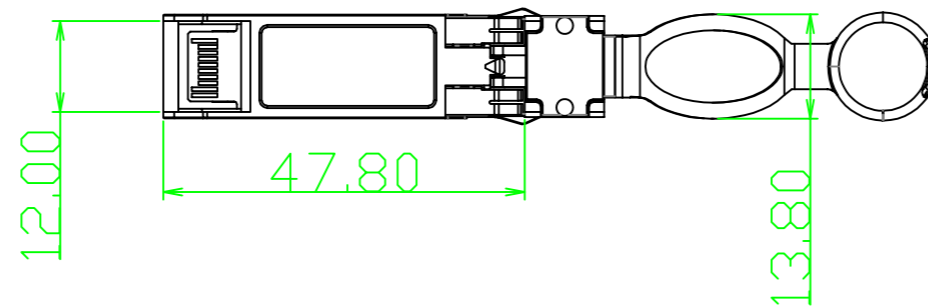
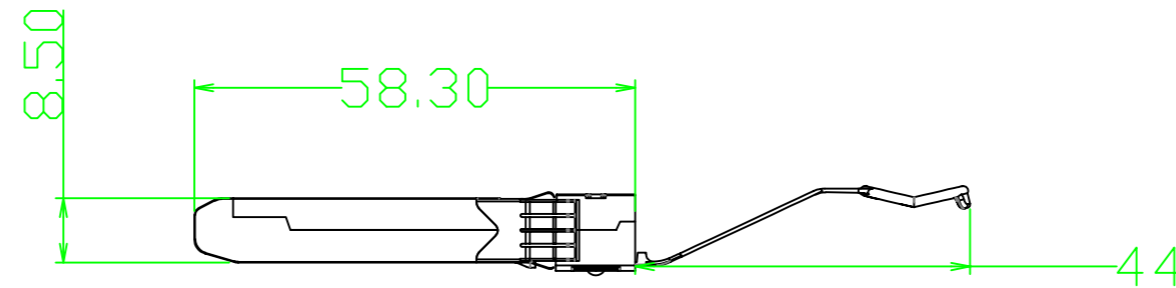
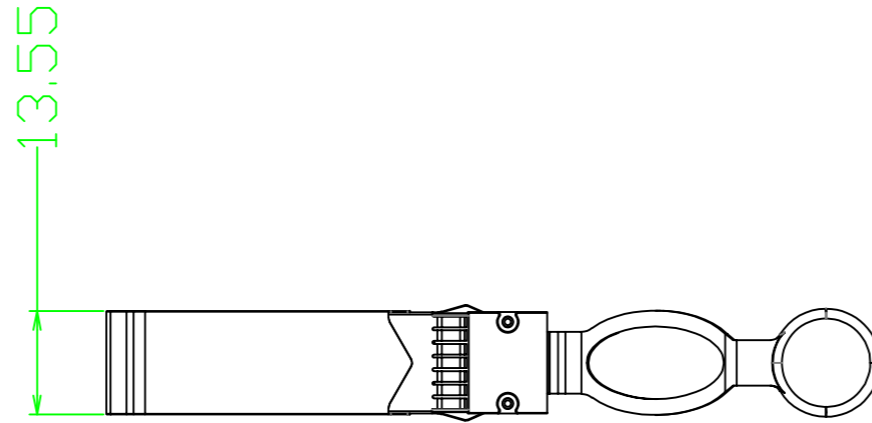
D

E

E

F

F



APPROVAL	SPEC		FXC Inc.	
	MATERIAL		SCALE	PRODUCT NAME
	-	1:1	FXC9432-10G-CU1M	
DRAWING	FINISH	UNIT	TITLE	
	-	MM	FXC9432-10G-CU1M外觀図	
		DATE	DWG No.	SHEET
		2026/3/16	A3-E11-0110-02	1/1

1

2

3

4

5

6

7

8