

1 2 3 4 5 6 7 8

REV	DATE	QUANTITY	DESCRIPTION	CHARGE	SEC
01			初版		
02	2020/3/31		図面种, 図面番号	Nakashima	PE

A

B

C

D

E

F

A

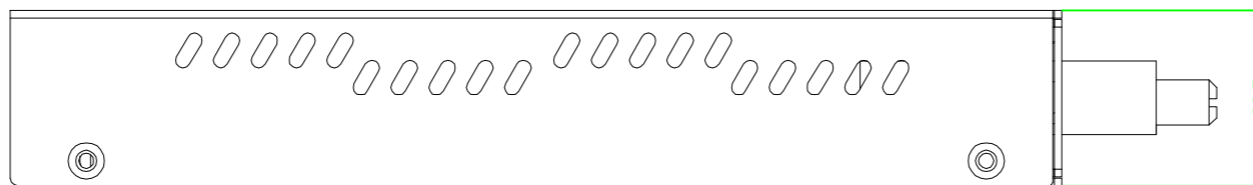
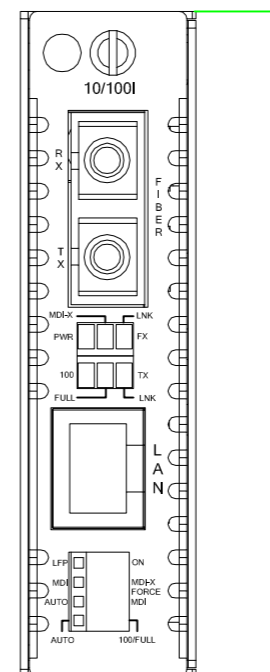
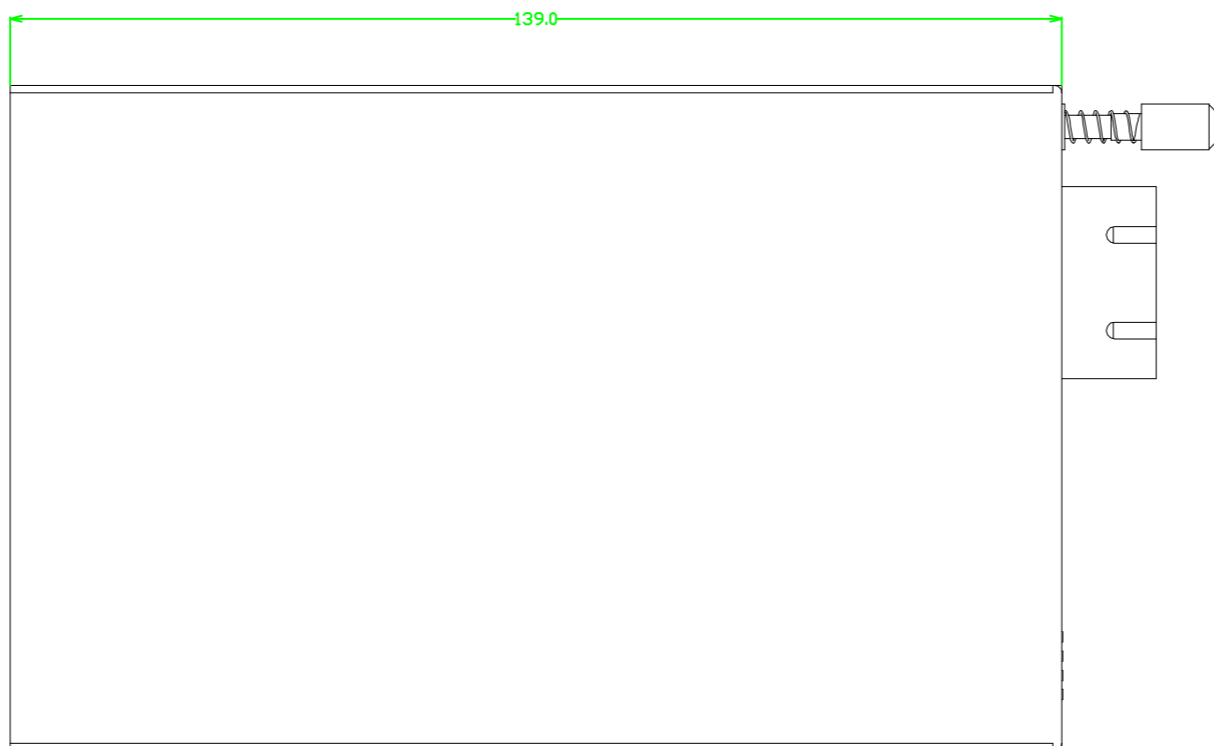
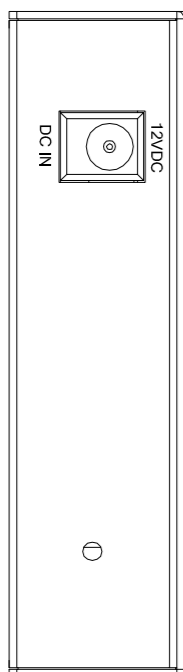
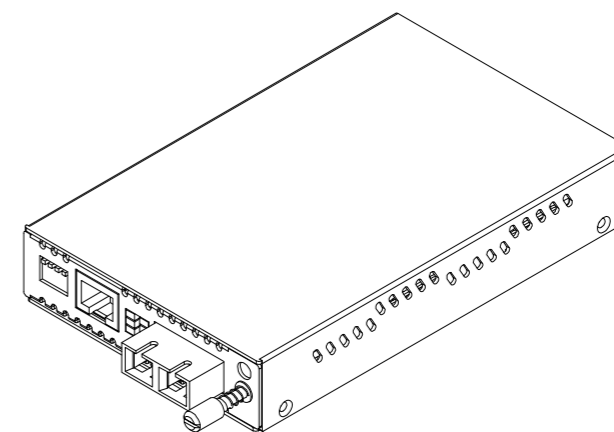
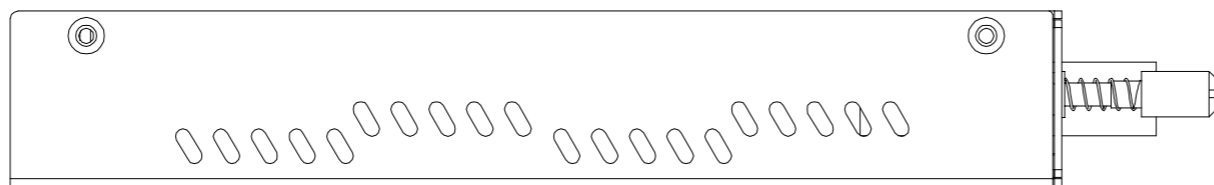
B

C

D

E

F



APPROVAL	SPEC			FXC Inc.
	MATERIAL	SCALE 1:1	PRODUCT NAME LE2k	
DRAWING	FINISH	UNIT MM	TITLE LE2842-02/15外觀図	
		DATE 2020/3/31	DWG No. A3-E11-0069-02	SHEET 1/1

1 2 3 4 5 6 7 8