

1

2

3

4

5

6

7

8

REV	DATE	QUANTITY	DESCRIPTION	CHARGE	SEC
01	17/4/28		初版		
02	17/6/1		-	Nakashima	開発技術部

A

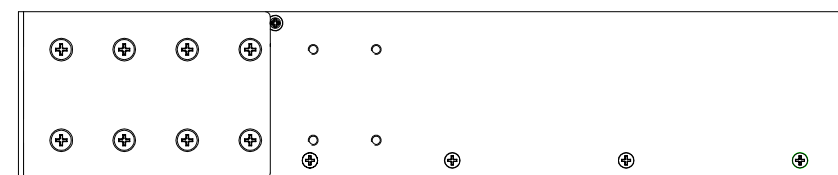
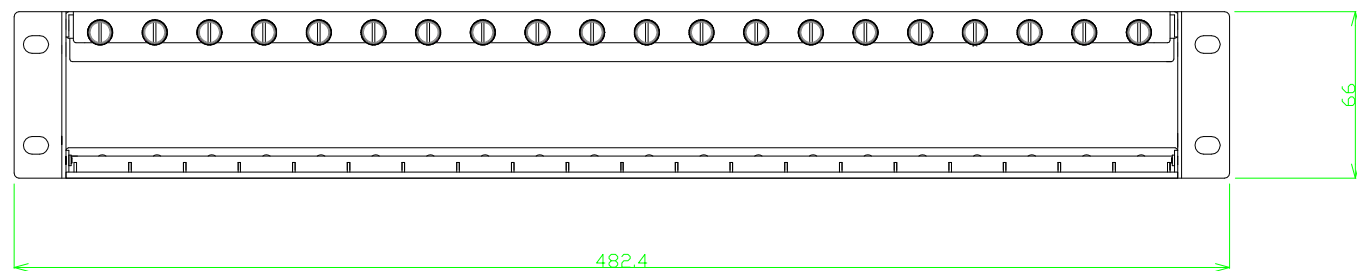
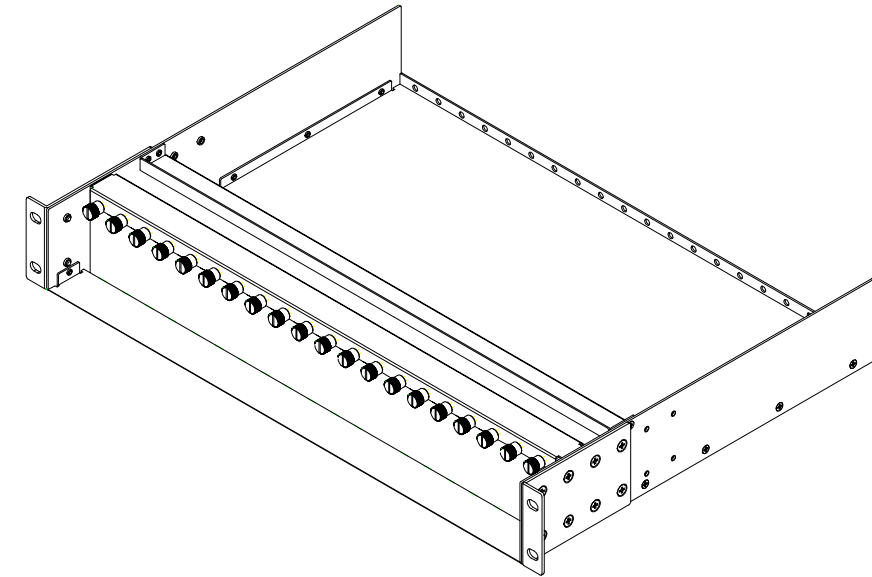
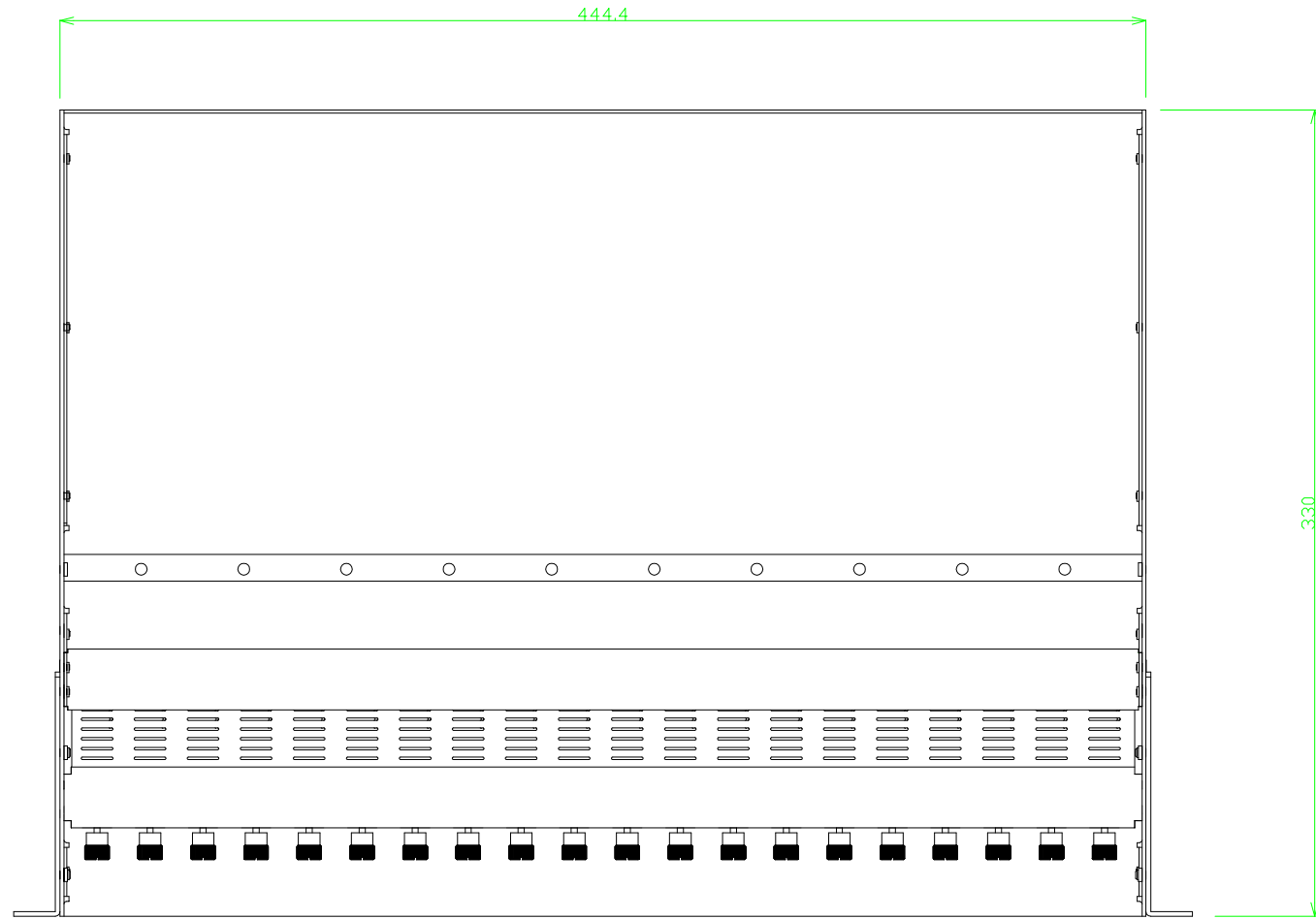
B

C

D

E

F



A

B

C

D

E

F

1

2

3

4

5

6

7

8

APPROVAL	SPEC			FXC Inc.	
	MATERIAL			SCALE 1:3	PRODUCT NAME LEX1020
DRAWING	FINISH	UNIT MM	TITLE OUTLINE, LEX1020		
		DATE 2017/6/1	DWG No. A3-E11-0037-02	SHEET 1/1	