

1 2 3 4 5 6 7 8

REV	DATE	QUANTITY	DESCRIPTION	CHARGE	SEC
00	19/7/25		初版	Nakashima	RD

A

B

C

D

E

F

A

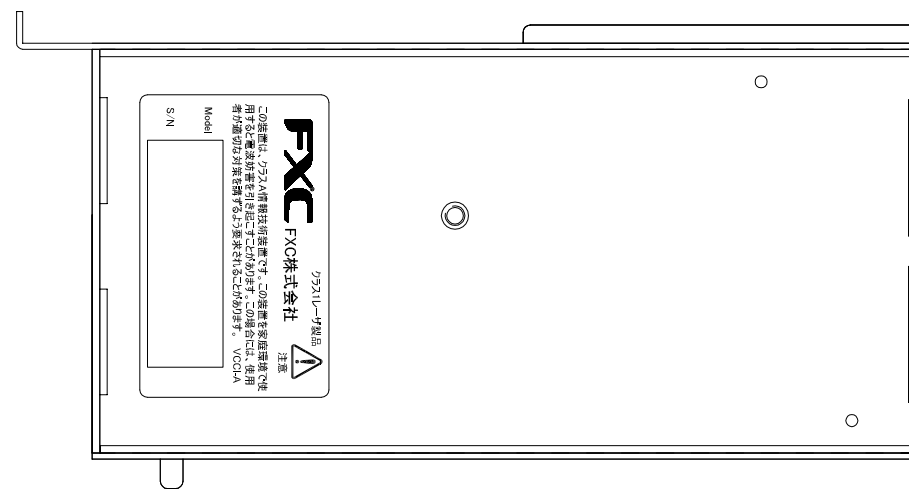
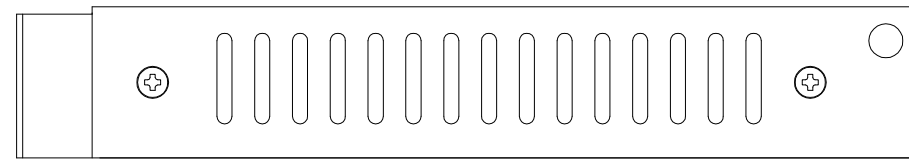
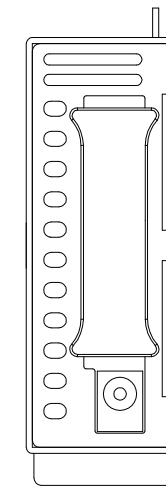
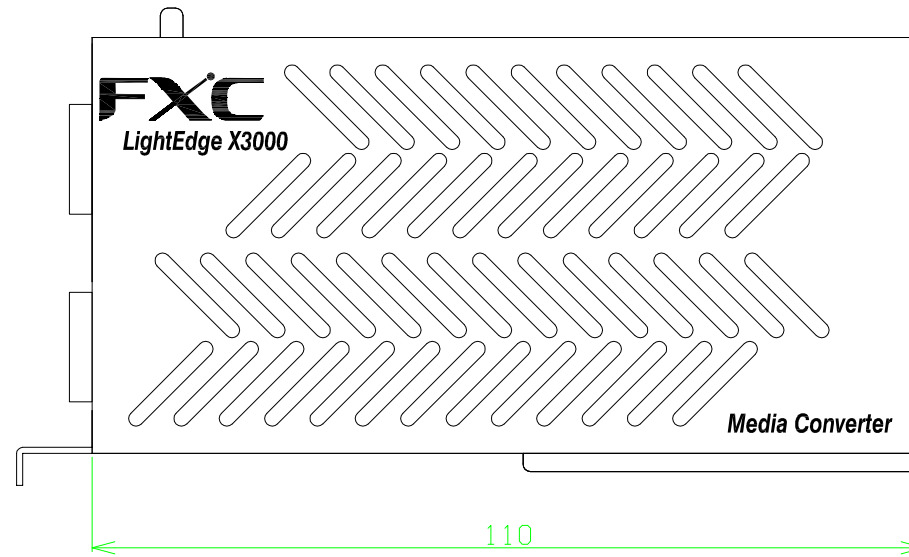
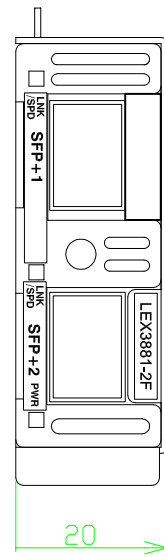
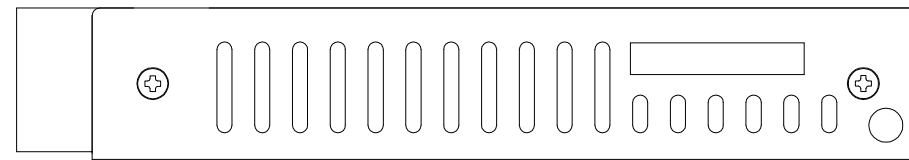
B

C

D

E

F



APPROVAL	SPEC			FXC Inc.
	MATERIAL	SCALE	PRODUCT NAME	
	-	1:1	LEX3881-2F	
DRAWING	FINISH	UNIT	TITLE	
	-	MM	外觀図 LEX3881-2F	
		DATE	DWG No.	SHEET
		2019/7/25	A3-E11-0058-01	1/1

1 2 3 4 5 6 7 8