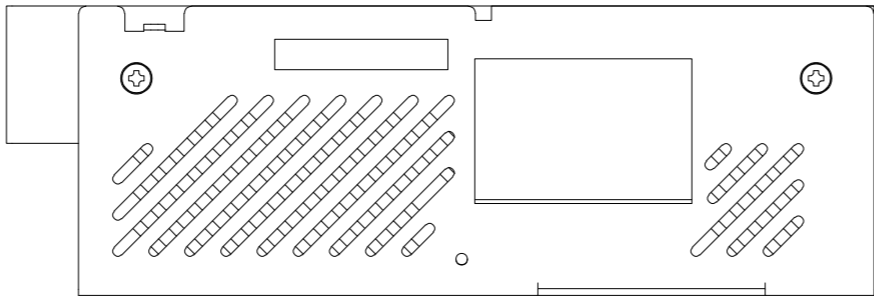


1 2 3 4 5 6 7 8

REV	DATE	QUANTITY	DESCRIPTION	CHARGE	SEC
01	2024/6/27		初版	Nakashima	RD



A

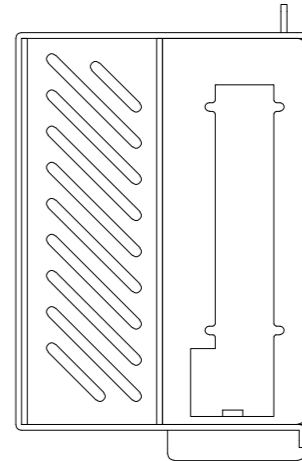
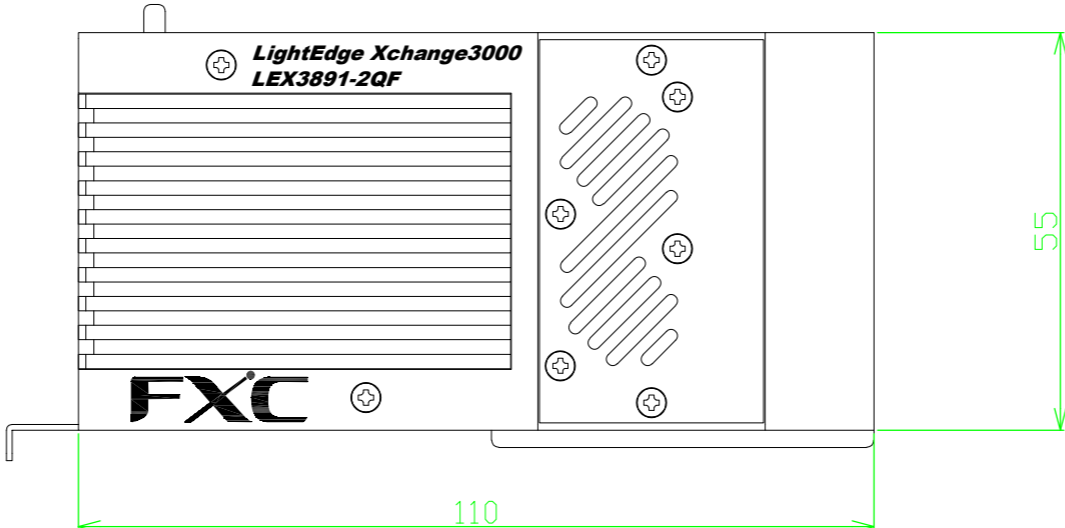
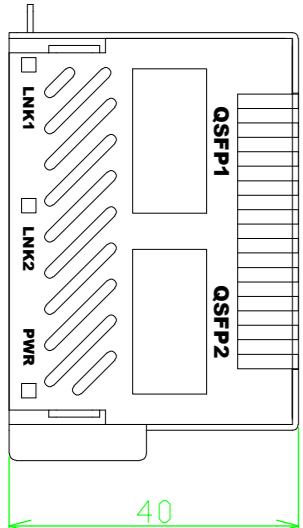
A

B

B

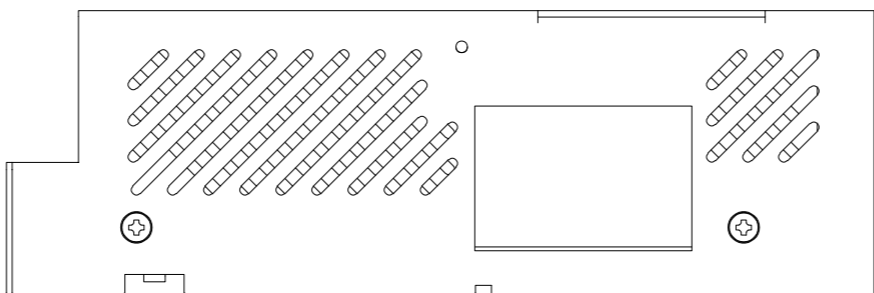
C

C



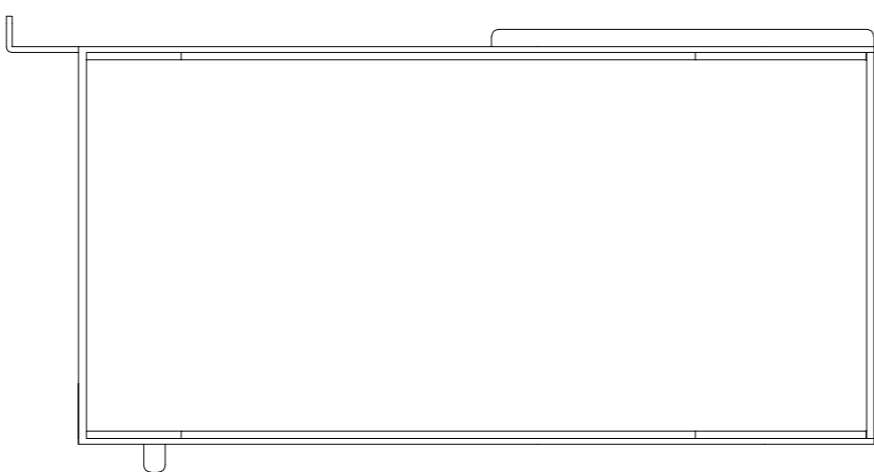
D

D



E

E



F

F

1 2 3 4 5 6 7 8

APPROVAL	SPEC			FXC Inc.	
	MATERIAL	SCALE 1:1	PRODUCT NAME LEX3891-2QF		
DRAWING	FINISH	UNIT MM	TITLE LEX3891-2QF 外觀図		
		DATE 20240627	DWG No. A3-E11-0136-01	SHEET 1/1	