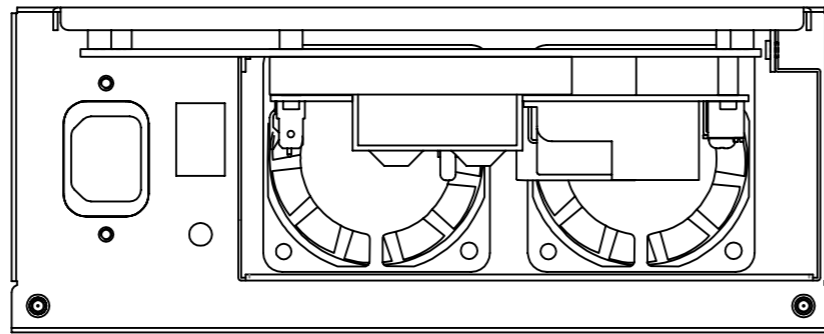


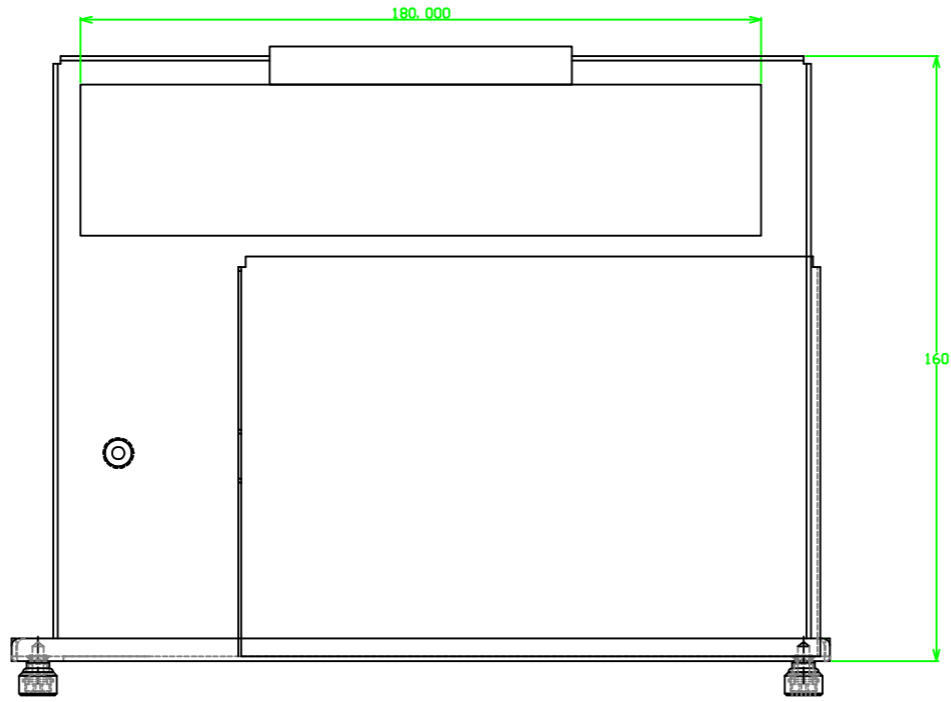
1 2 3 4 5 6 7 8

REV	DATE	QUANTITY	DESCRIPTION	CHARGE	SEC
00	2018/8/17		初版	Nakashima	RD

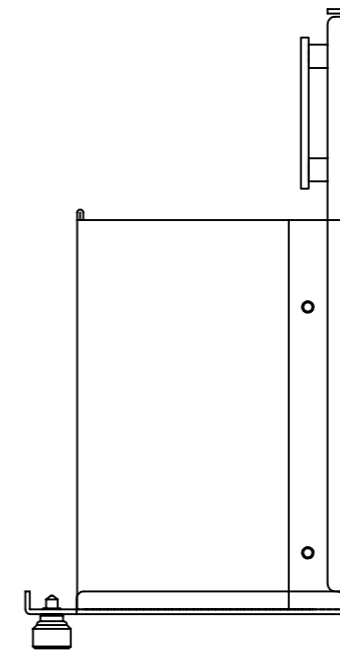
A



B

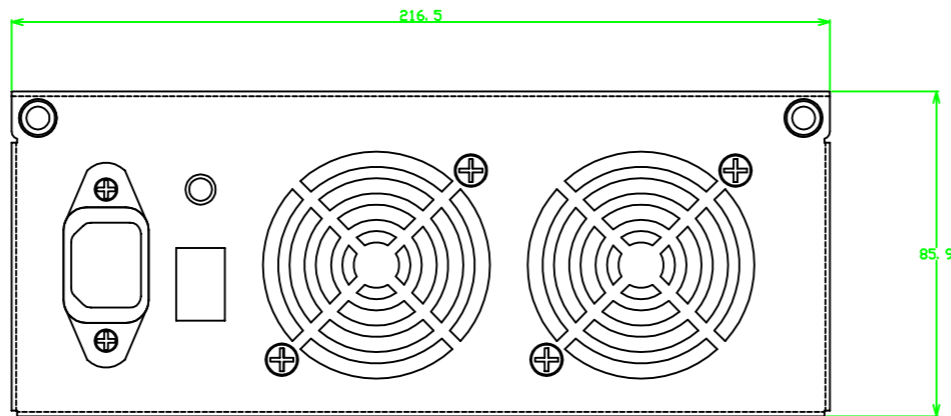


C



D

E



F

A

B

C

D

E

F

1 2 3 4 5 6 7 8

APPROVAL	SPEC			FXC Inc.
	MATERIAL	SCALE 1:2	PRODUCT NAME LEX3k	
DRAWING	FINISH	UNIT MM	TITLE LEX3910-15外觀図	
		DATE 2018/8/17	DWG No. A3-E11-0047-01	SHEET 1/1