

1

2

3

4

5

6

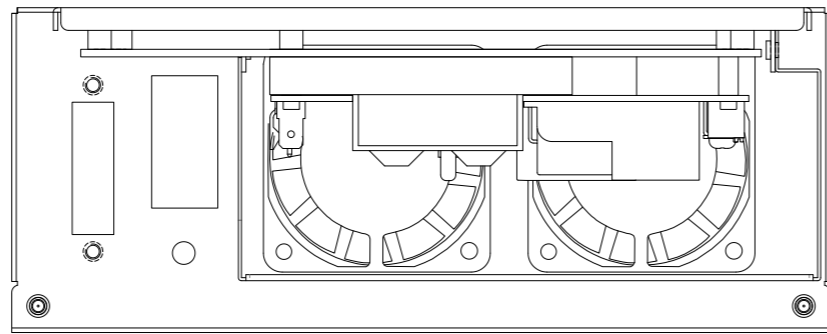
7

8

REV	DATE	QUANTITY	DESCRIPTION	CHARGE	SEC
00	2019/3/11		初版	Nakashima	RD

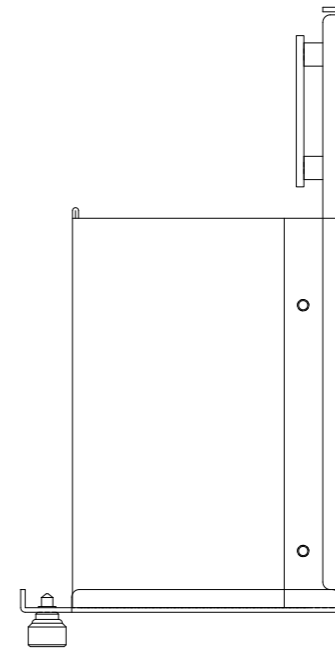
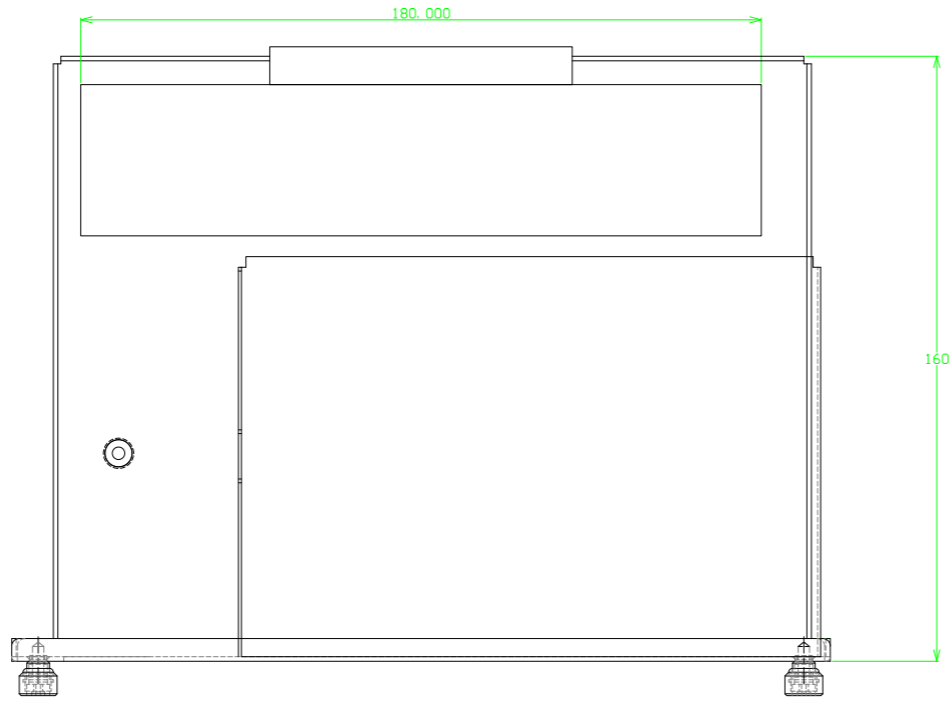
A

A



B

B



C

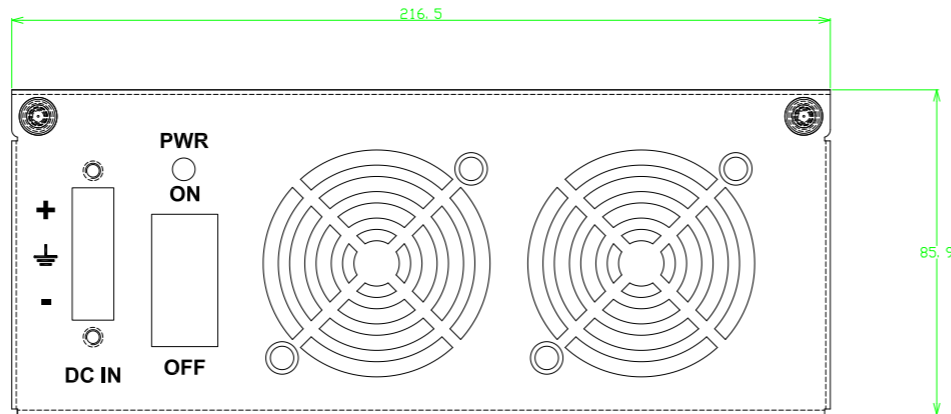
C

D

D

E

E



F

F

1

2

3

4

5

6

7

8

APPROVAL	SPEC			FXC Inc.
	MATERIAL	SCALE 1:2	PRODUCT NAME LEX3k	
DRAWING	FINISH	UNIT MM	TITLE LEX3910-45外觀図	
		DATE 2019/3/11	DWG No. A3-E11-0055-01	SHEET 1/1