

1

2

3

4

5

6

7

8

REV	DATE	QUANTITY	DESCRIPTION	CHARGE	SEC
01	2022/9/13		初版	Soeda	PE

A

A

B

B

C

C

D

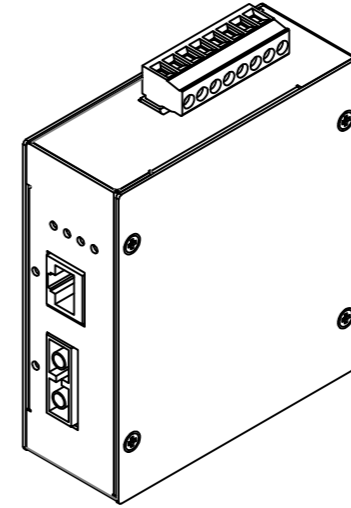
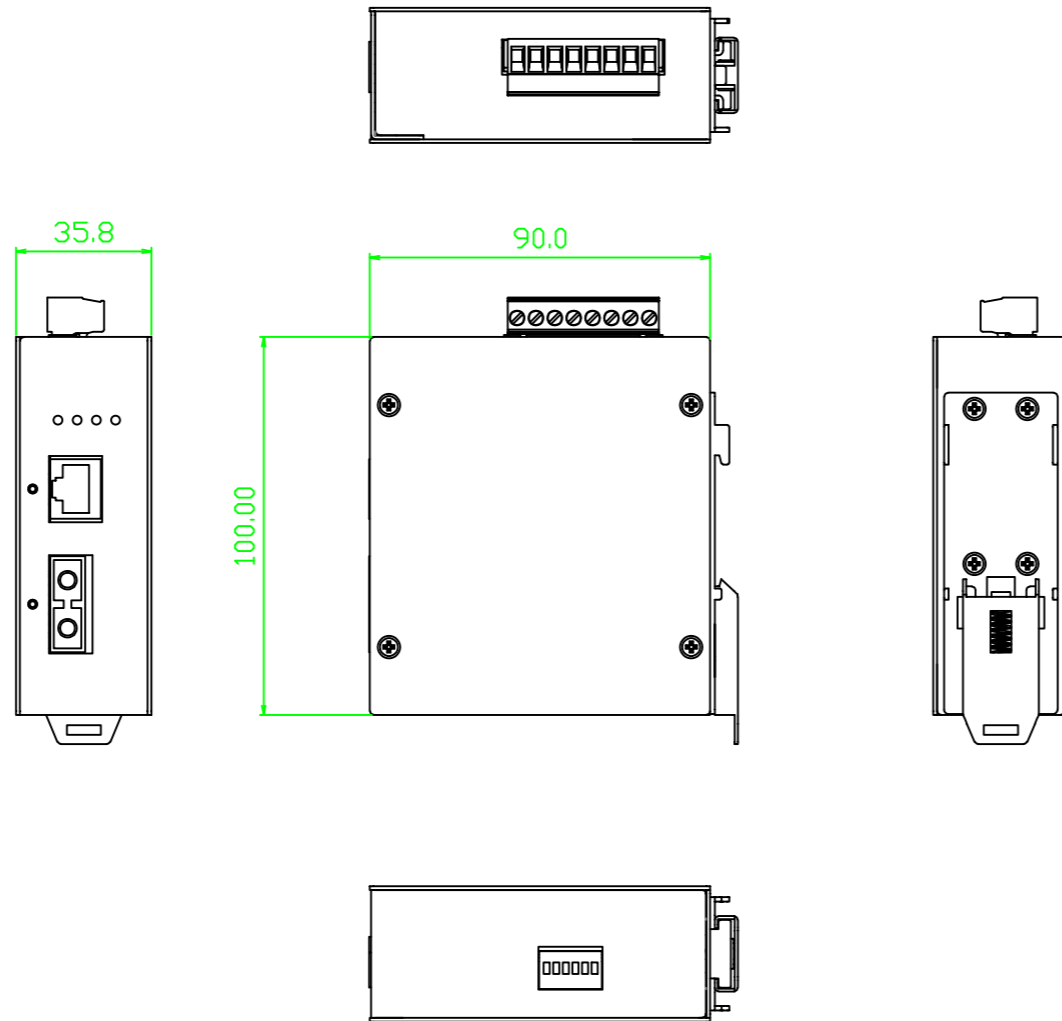
D

E

E

F

F



APPROVAL	SPEC			FXC Inc.
	MATERIAL	SCALE	PRODUCT NAME	
	-	1:2	MCI2852-005/10	
DRAWING	FINISH	UNIT	TITLE	
	-	MM	MCI2852-005/10外觀図	
		DATE	DWG No.	SHEET
		2022/9/13	A3-E11-0100-01	1/1

1

2

3

4

5

6

7

8