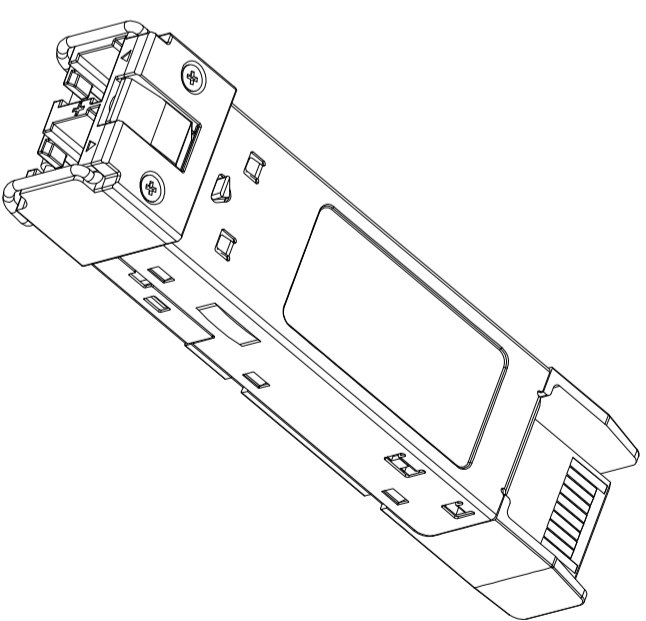
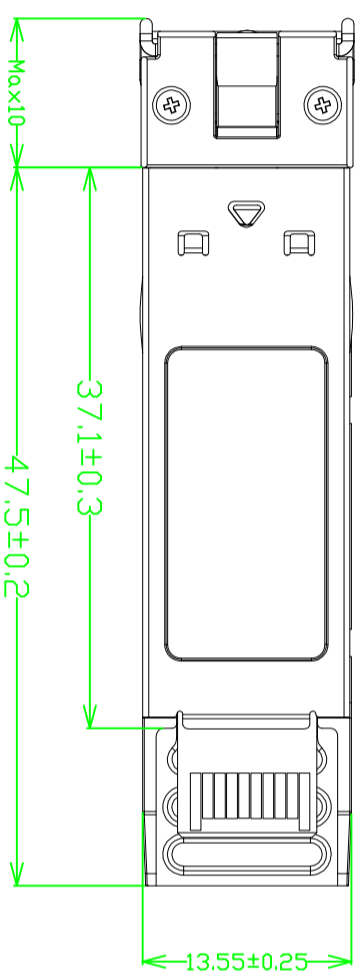
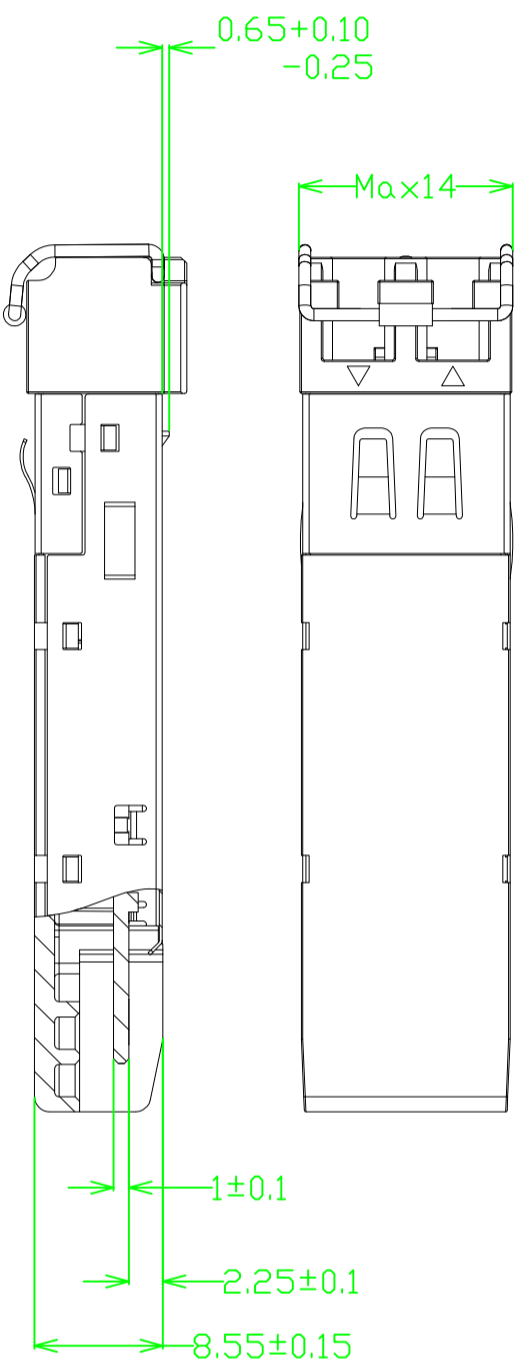
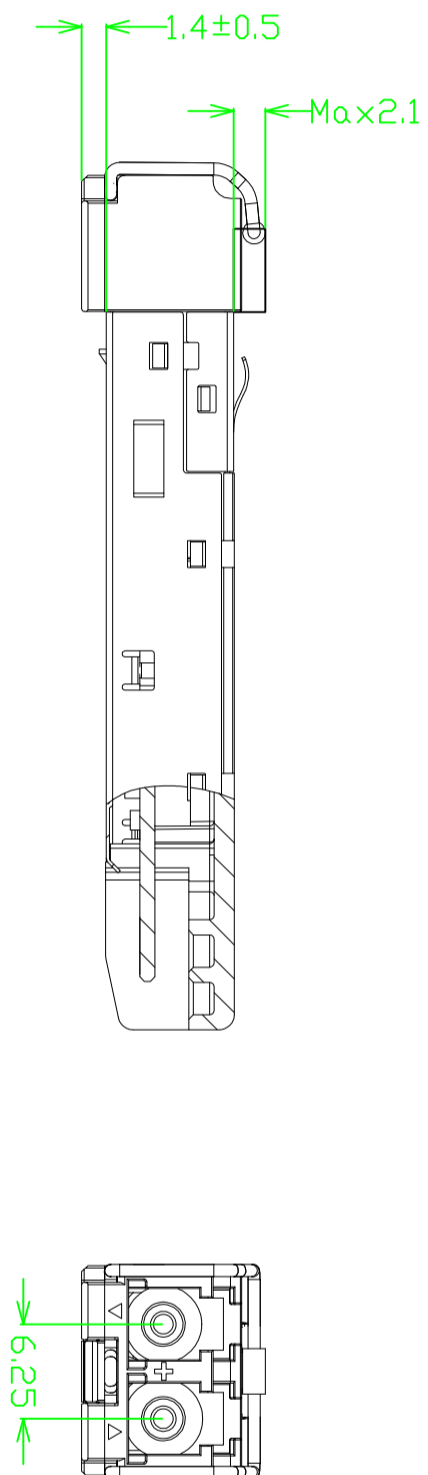


REV	DATE	QUANTITY	DESCRIPTION	CHARGE	SEC
01			初版		
02	2020/2/27		図面時、図面番号、外観の変更	Nakashima	PE



APPROVAL	SPEC	SCALE	PRODUCT NAME	FXC Inc.	SHEET
	MATERIAL	2:1	SFP+		1/1
DRAWING	FINISH	UNIT	TITLE	SFP+2芯 外観図	
		MM	DWG No.	A3-E11-0066-02	
		DATE			
		2020/2/27			