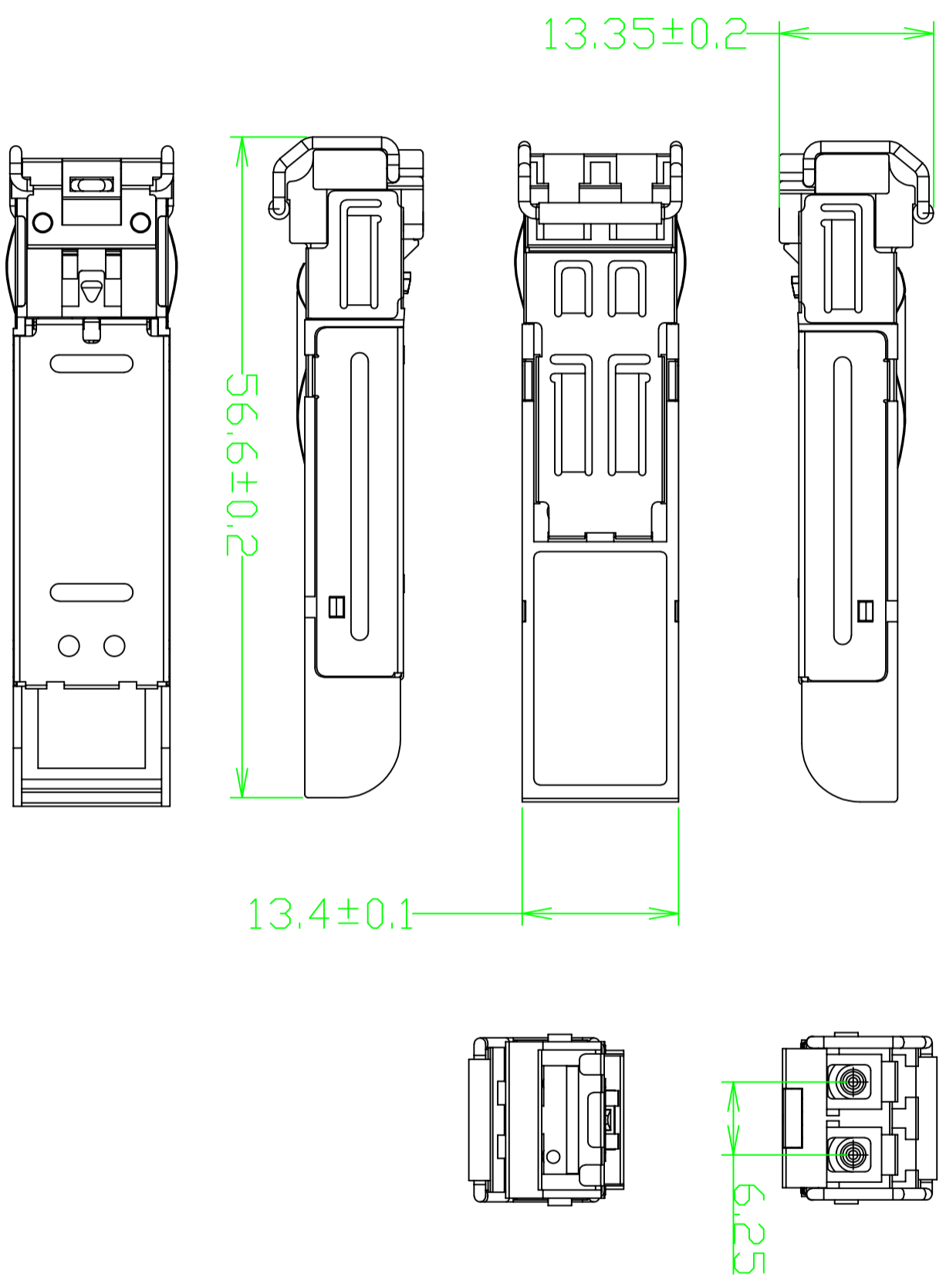


REV	DATE	QUANTITY	DESCRIPTION	CHARGE	SEC
01	2024/8/23		物庫	Soeda	PL



APPROVAL	SPEC	SCALE	PRODUCT NAME	FXC Inc.
DRAWING	MATERIAL	2:1	MGB-SX/LX	
	FINISH	MM	MGB-SX/LX 外觀圖	
		DATE	DWG No.	SHEET
		2024/8/23	A3-E11-0140-01	1/1

