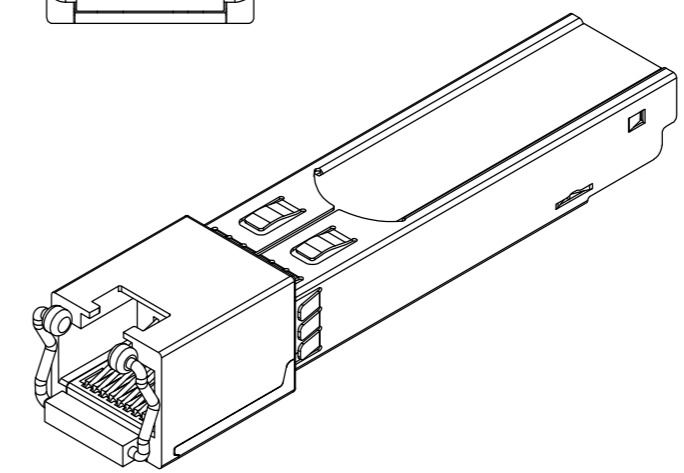
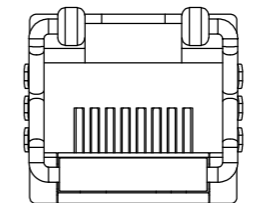
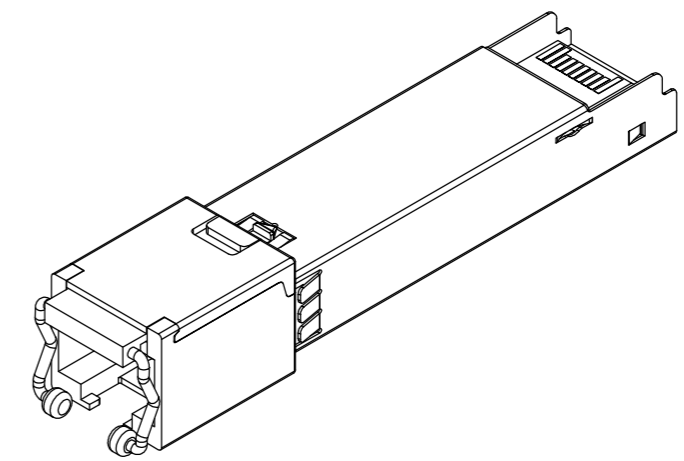
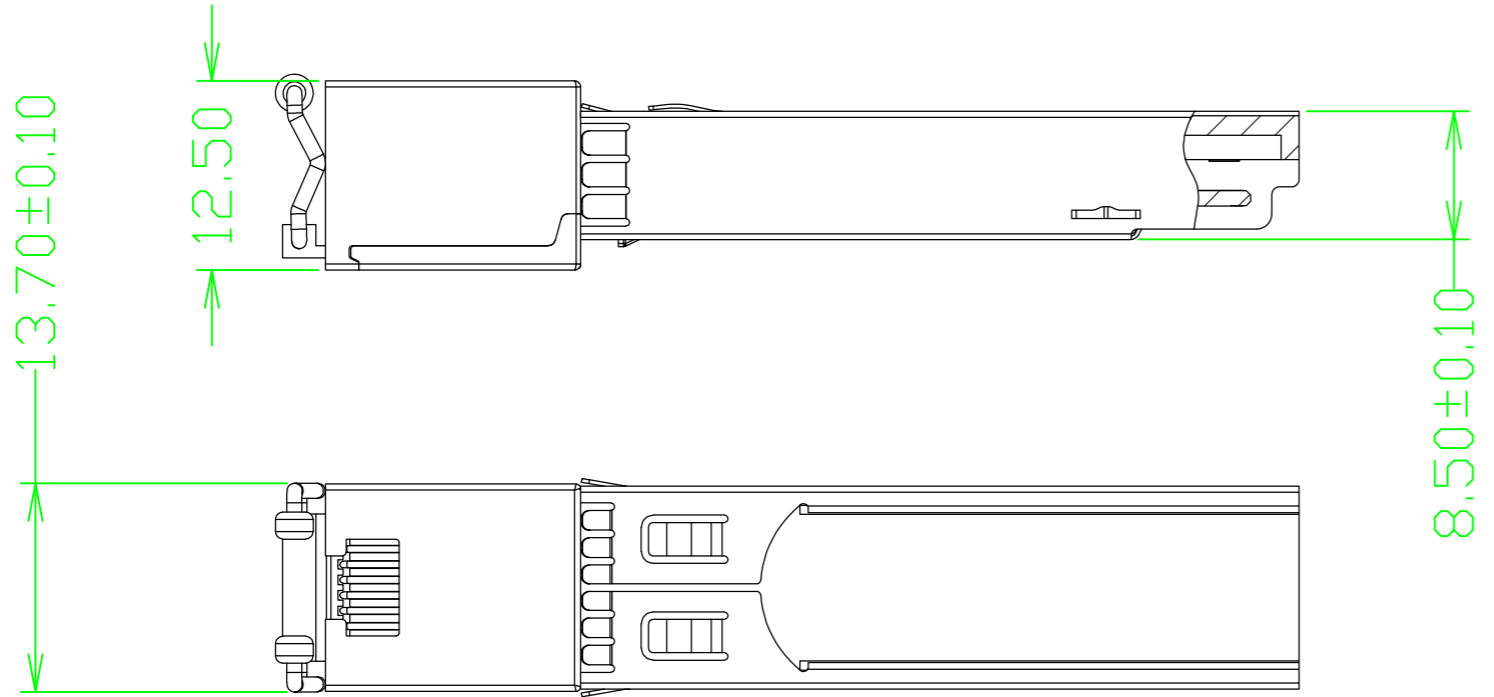


REV	DATE	QUANTITY	DESCRIPTION	CHARGE	SEC
01	2024/9/27		初版	Soeda	PL

A  
B  
C  
D  
E  
F

1 2 3 4 5



1 2 3 4 5 6 7 8

APPROVAL	SPEC			FXC Inc.	
	MATERIAL	SCALE 2:1	PRODUCT NAME MGB-T		
DRAWING	FINISH	UNIT MM	TITLE MGB-T 外觀図		
		DATE 2024/9/27	DWG No. A3-E11-0144-01	SHEET 1/1	