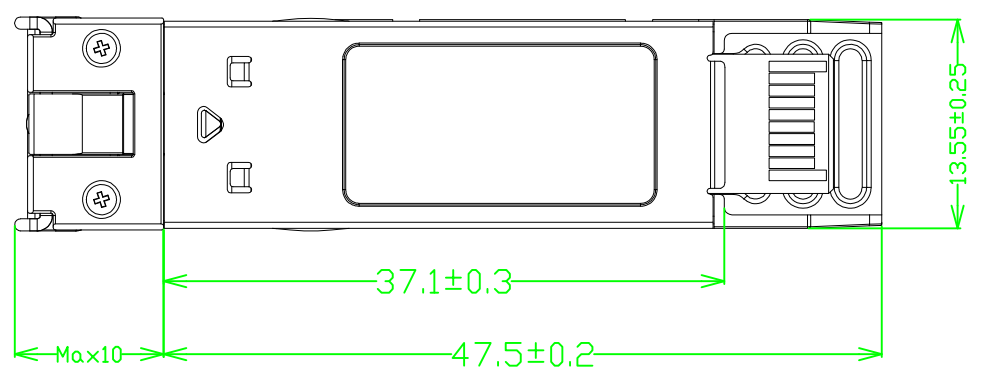
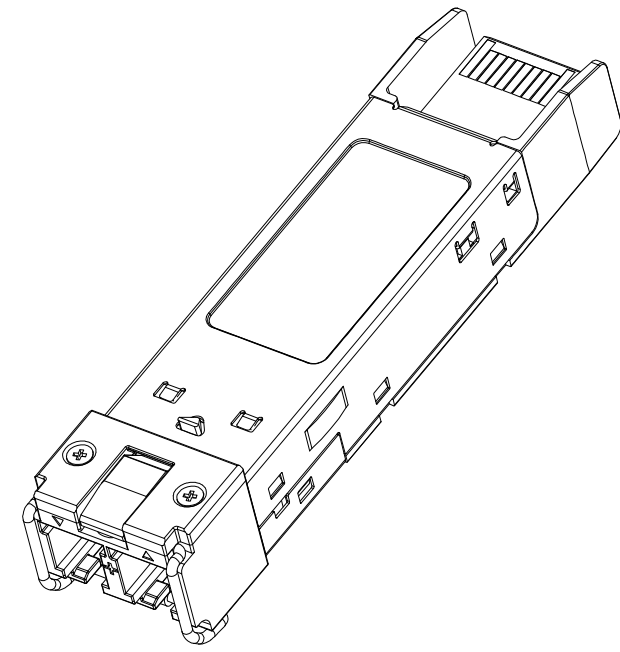
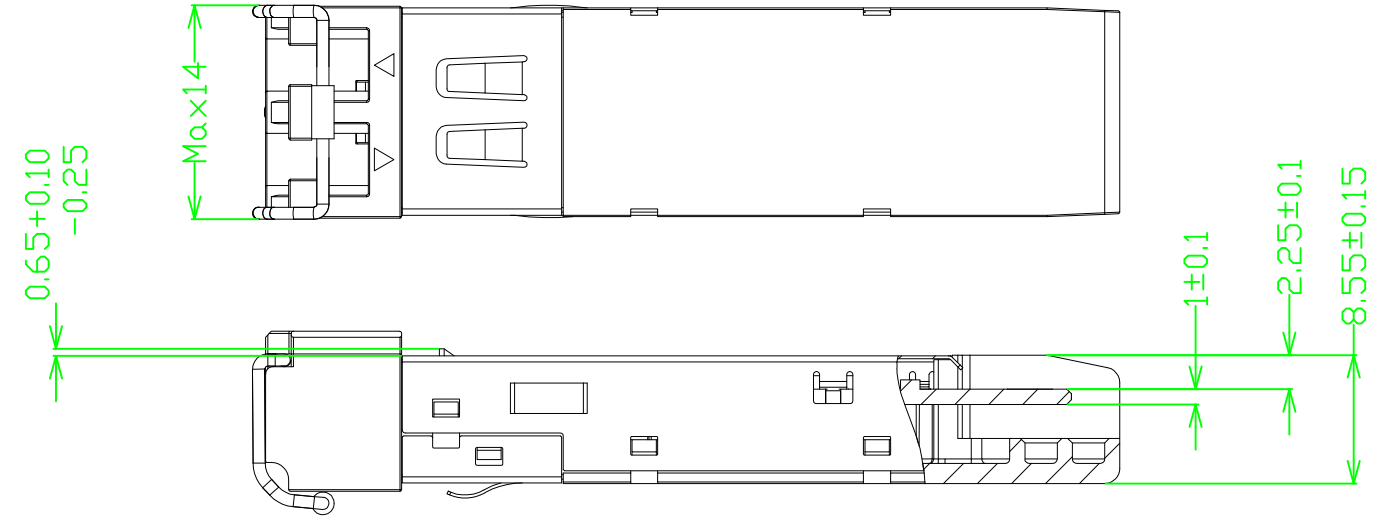
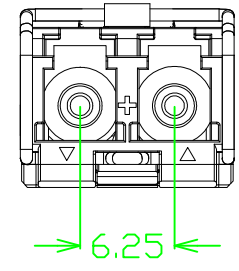
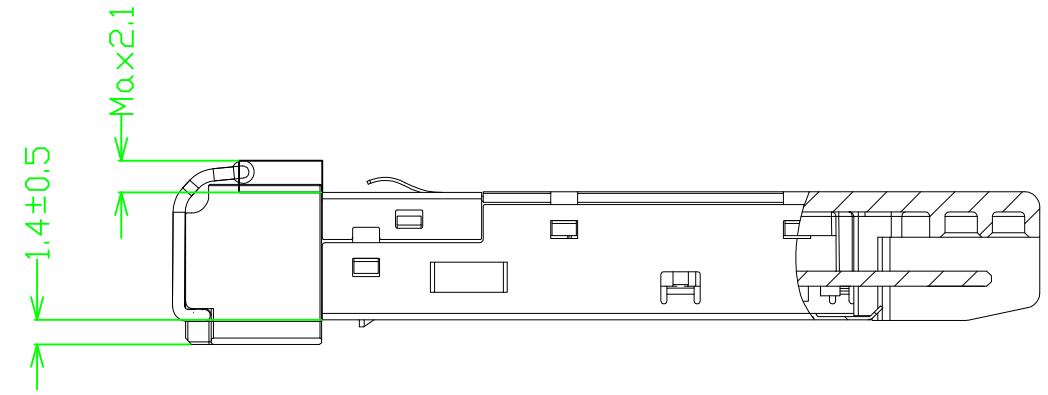


1 2 3 4 5 6 7 8

REV	DATE	QUANTITY	DESCRIPTION	CHARGE	SEC
01	2024/9/27		初版	Soeda	PL



A
B
C
D
E
F

A
B
C
D
E
F

1 2 3 4 5 6 7 8

APPROVAL	SPEC			FXC Inc.
	MATERIAL	SCALE 2:1	PRODUCT NAME MGB-ZX	
DRAWING	FINISH	UNIT MM	TITLE MGB-ZX 外觀図	
		DATE 2024/9/27	DWG No. A3-E11-0143-01	SHEET 1/1