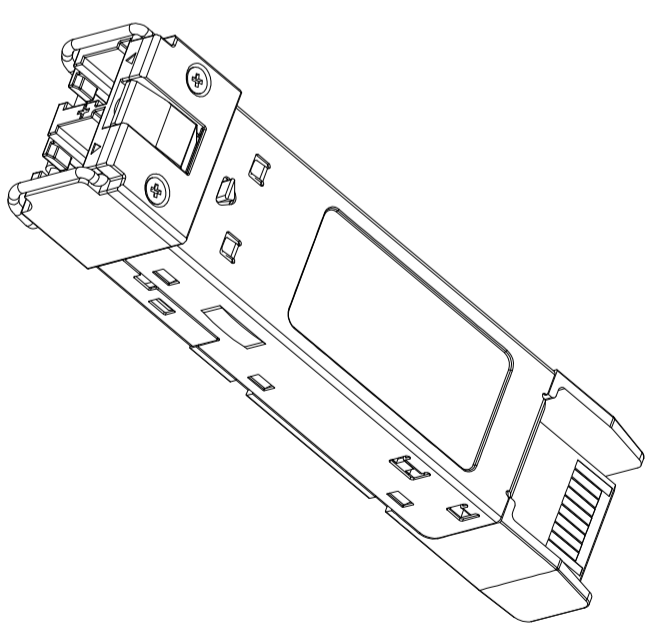
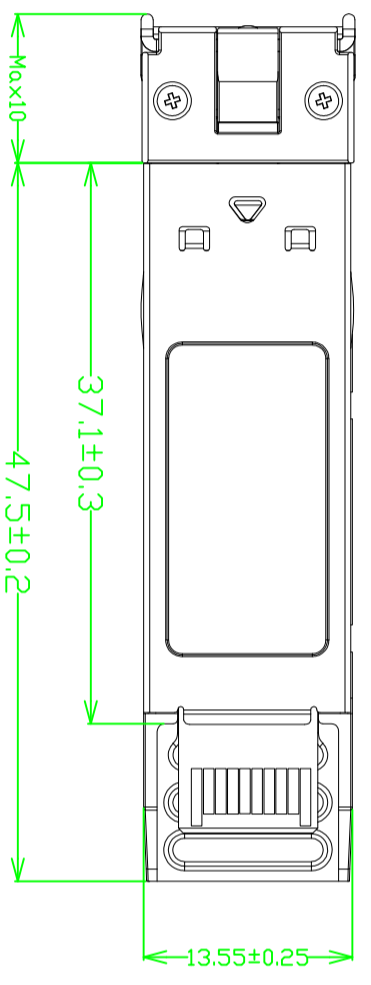
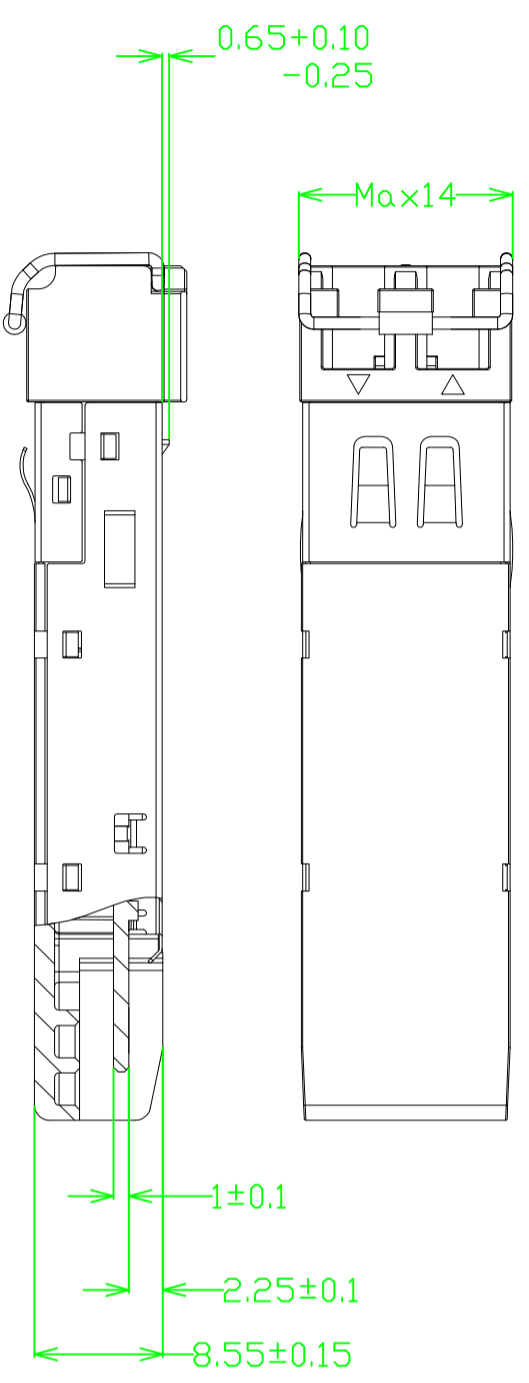
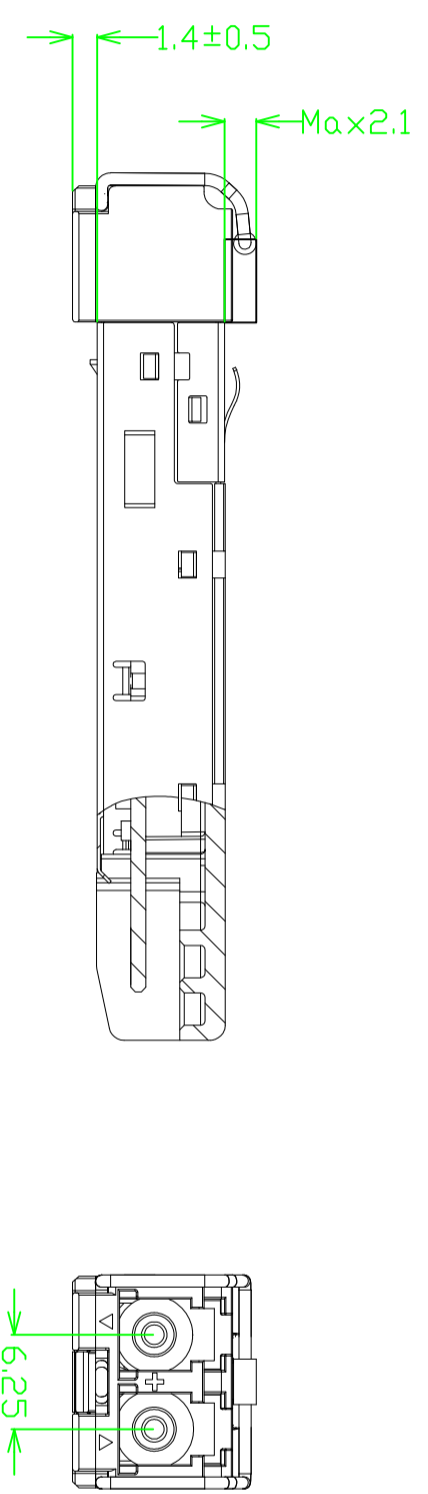


REV	DATE	QUANTITY	DESCRIPTION	CHARGE	SEC
01	2024/9/27		初版	Soeda	PL



APPROVAL	SPEC	SCALE	PRODUCT NAME	FXC Inc.
MATERIAL	FINISH	2:1	MGB-ZX	
DRAWING	UNIT	MM	TITLE	MGB-ZX 外觀圖
	DATE	2024/9/27	DWG No.	A3-E11-0143-01
				SHEET 1/1