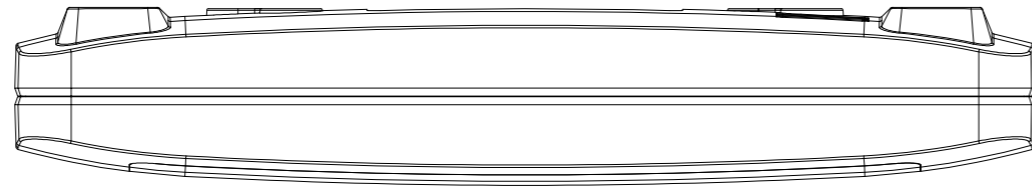


1 2 3 4 5 6 7 8

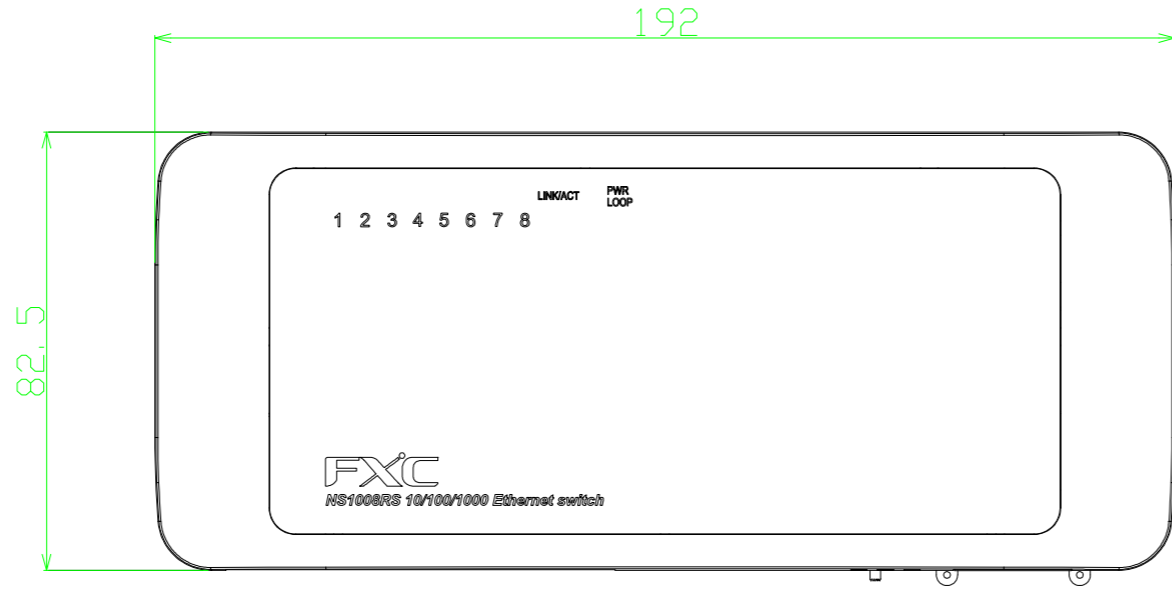
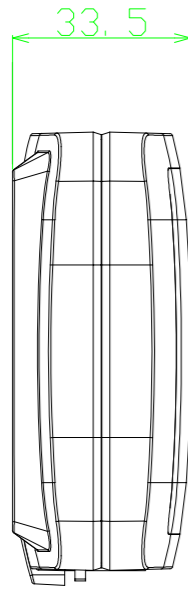
REV	DATE	QUANTITY	DESCRIPTION	CHARGE	SEC
00	2018/8/24		初版		PE

A



A

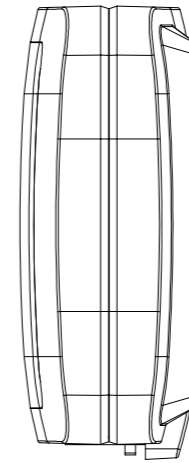
B



B

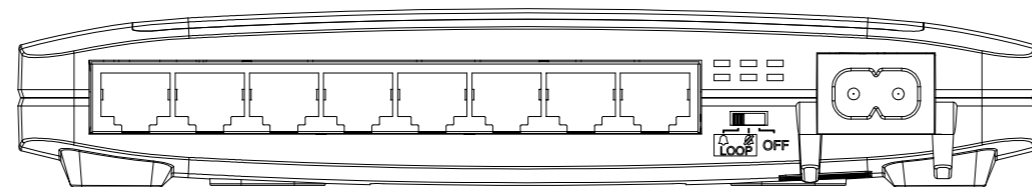
C

82.5



C

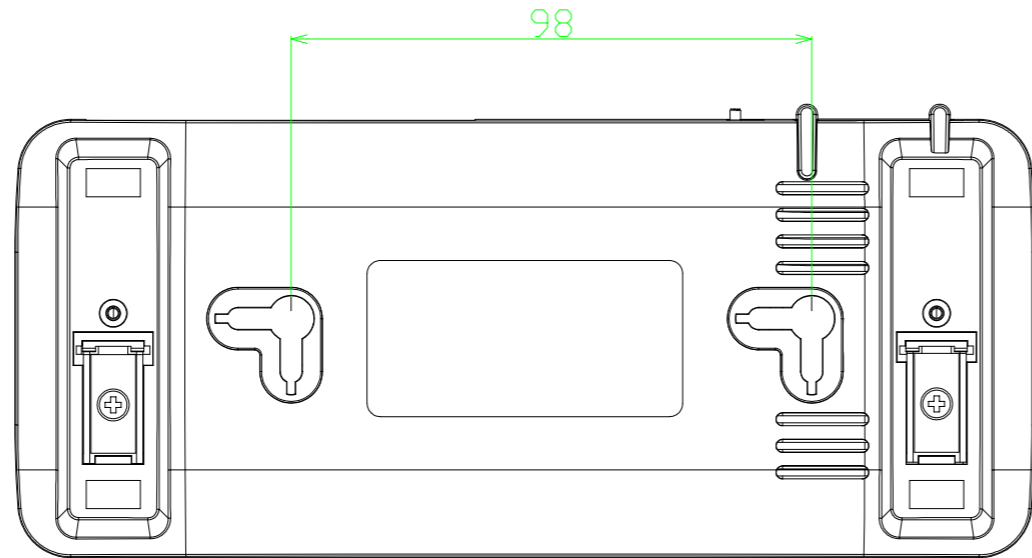
D



D

E

98



E

F

F

1 2 3 4 5 6 7 8

APPROVAL	SPEC		<b>FXC Inc.</b>	
	MATERIAL		SCALE NS	PRODUCT NAME NS1008RS
DRAWING	FINISH	UNIT MM	TITLE NS1008RS外觀圖	
		DATE 2018/8/24	DWG No. A3-E11-0050-01	SHEET 1/1