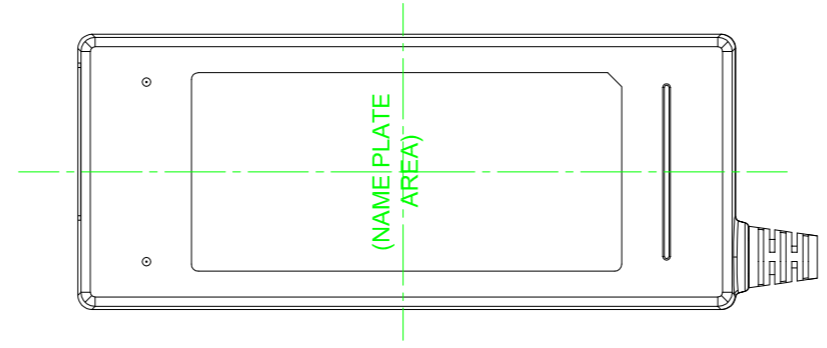
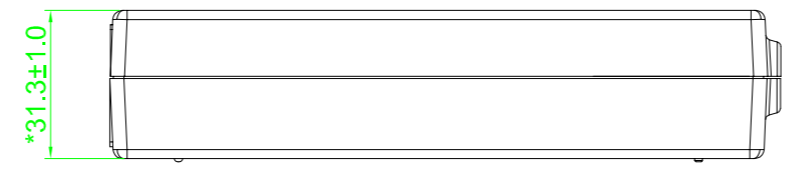
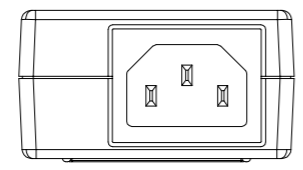
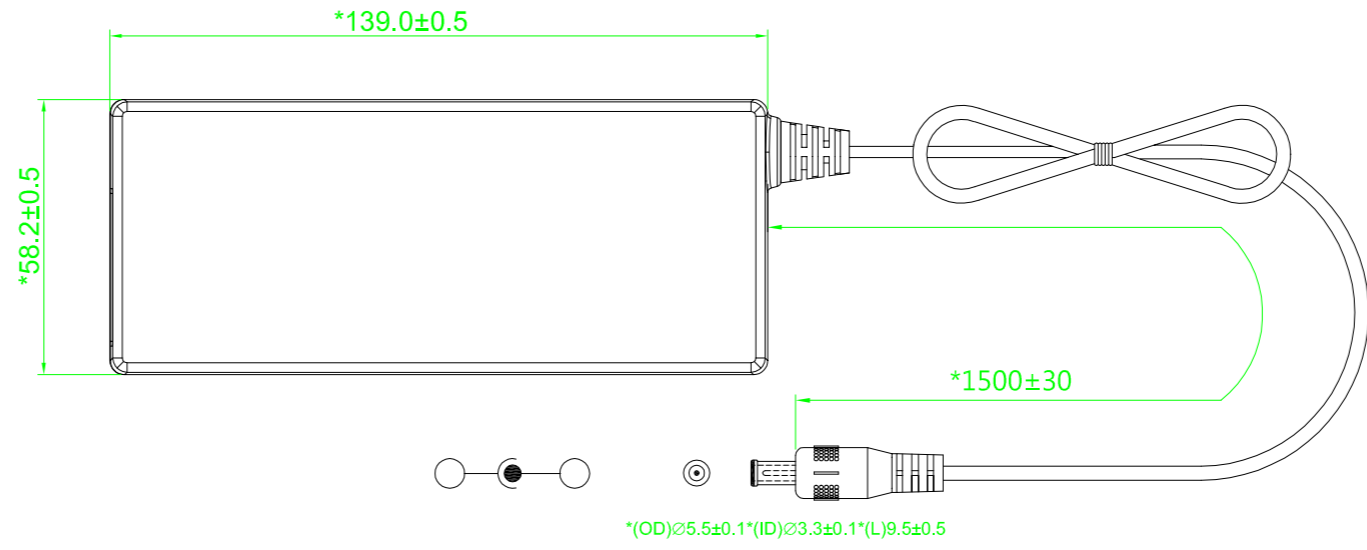


1 2 3 4 5 6 7 8

REV	DATE	QUANTITY	DESCRIPTION	CHARGE	SEC
01	2019/9/30		初版	Nakashima	PE

A  
B  
C  
D  
E  
F

A  
B  
C  
D  
E  
F



1 2 3 4 5 6 7 8

APPROVAL	SPEC			FXC Inc.
	MATERIAL	SCALE	PRODUCT NAME NS2010VPEL	
DRAWING	FINISH	UNIT	TITLE ACアダプタ外觀図	
		DATE 2019/9/30	DWG No. A3-E11-0061-01	SHEET 1/1