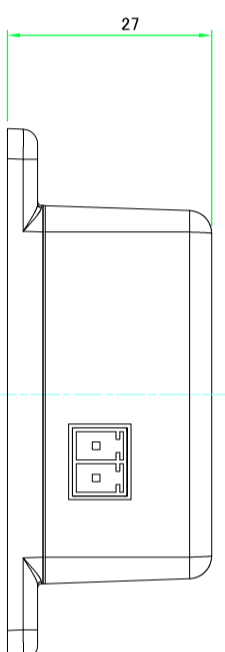
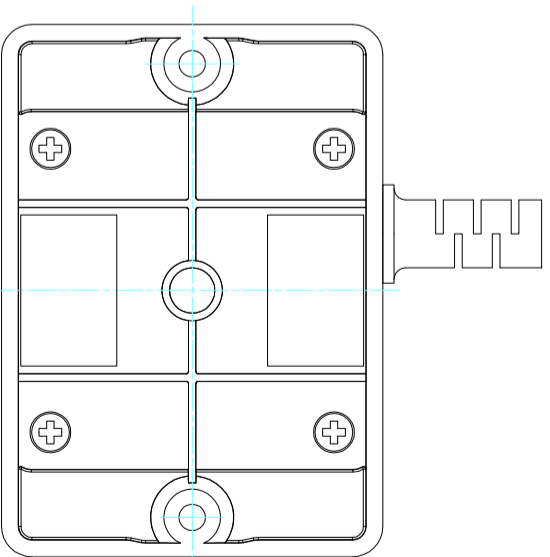
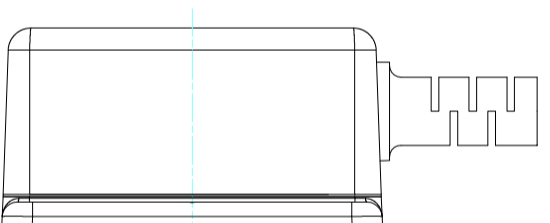
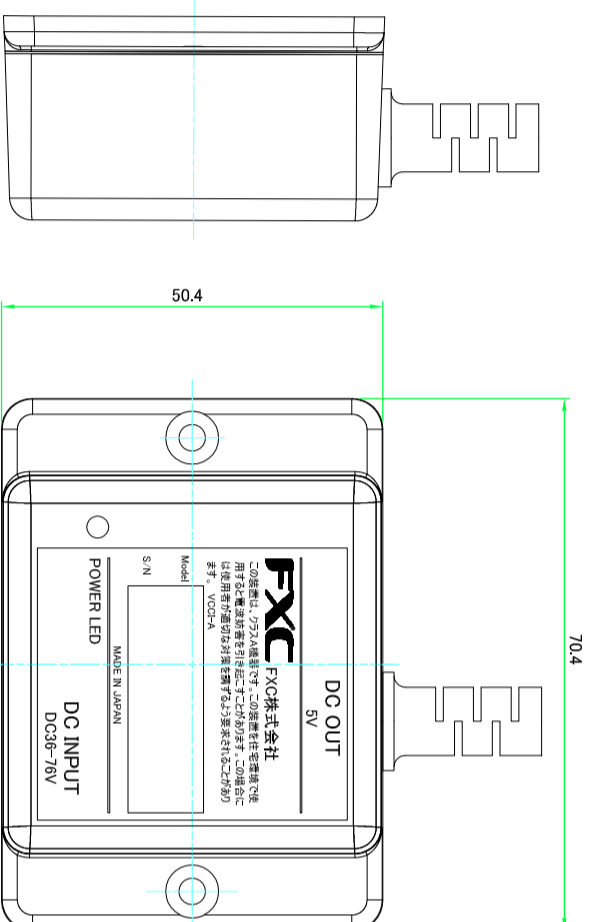
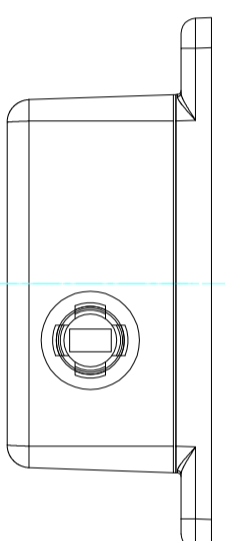


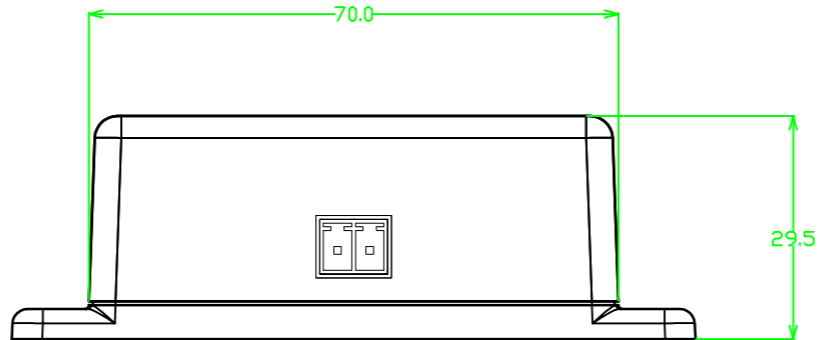
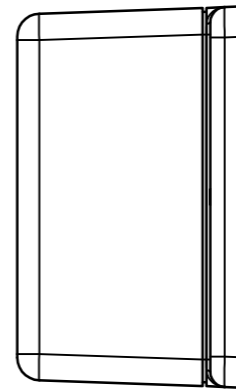
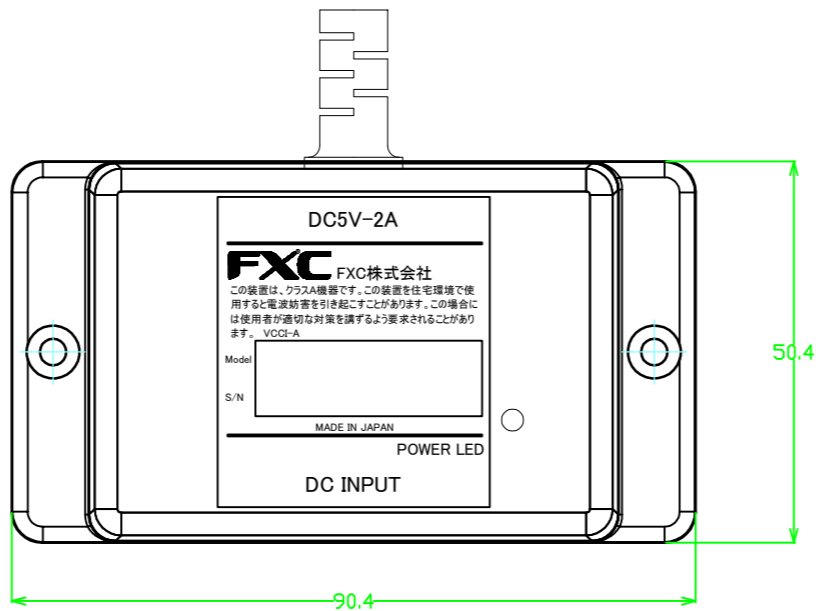
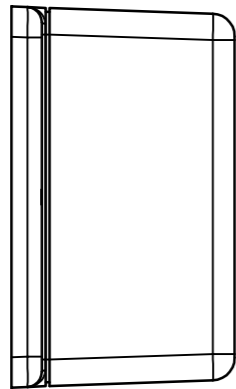
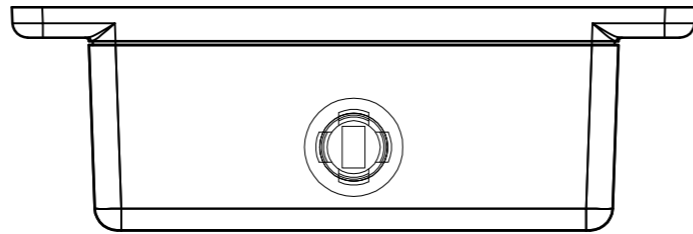
REV	DATE	QUANTITY	DESCRIPTION	CHARGE	SEC
01	2020/1/20		初版	Nakashima	RD



APPROVAL	SPEC	SCALE	PRODUCT NAME	FXC Inc.
MATERIAL		1:1	LEX	
FINISH		UNIT	TITLE	
		MM	外觀図 DPT-LEX-PC03-45	
		DATE	DWG No.	
		2020/1/20	A3-E11-0065-01	
				SHEET
				1/1

1 2 3 4 5 6 7 8

REV	DATE	QUANTITY	DESCRIPTION	CHARGE	SEC
01	230512		初版	NakaShima	RD



A

B

C

D

E

F

A

B

C

D

E

F

1 2 3 4 5 6 7 8

APPROVAL	SPEC			FXC Inc.
	MATERIAL	SCALE 1:1	PRODUCT NAME	
DRAWING	FINISH	UNIT MM	TITLE DPT-LEX-PC04-45外觀図	
		DATE 2023/5/12	DWG No. A3-E11-0115-01	SHEET 1/1