

1

2

3

4

5

6

7

8

A

B

C

D

E

F

A

B

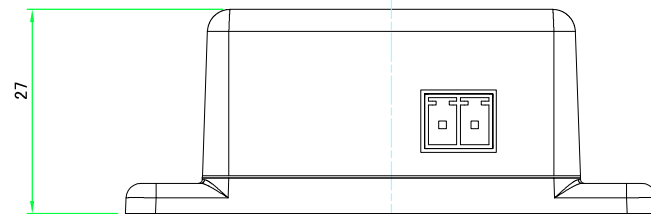
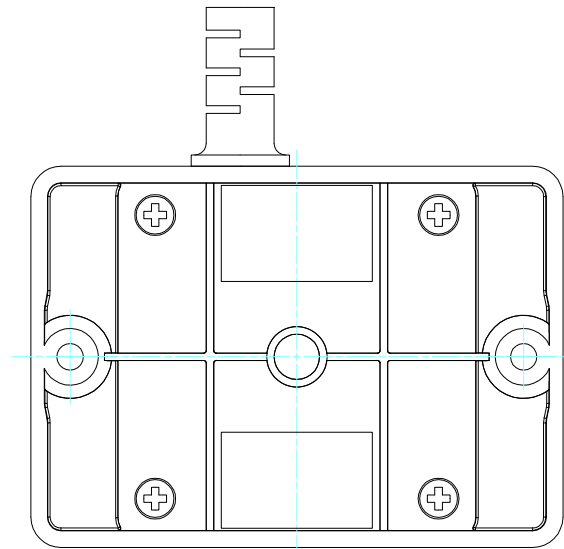
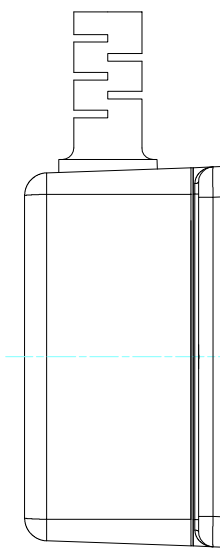
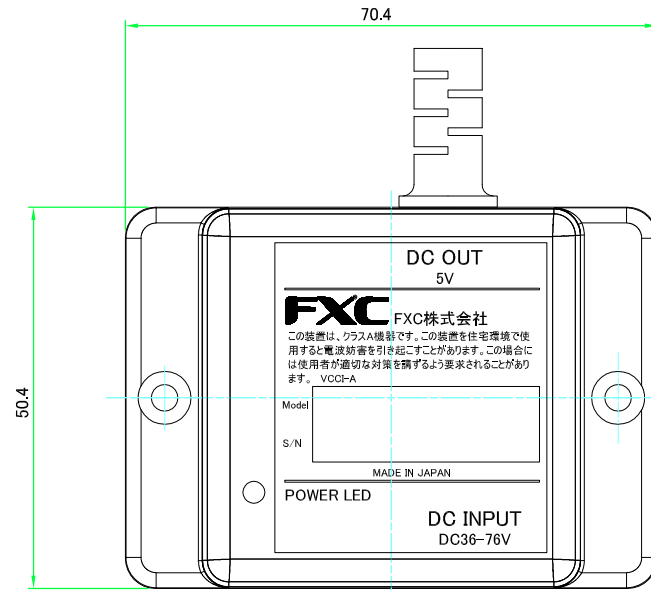
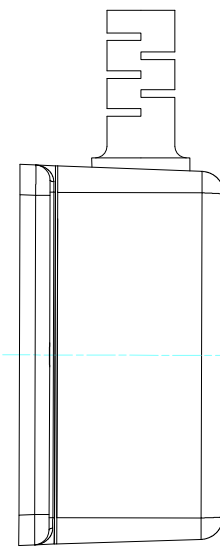
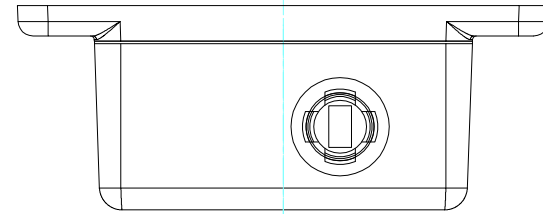
C

D

E

F

REV	DATE	QUANTITY	DESCRIPTION	CHARGE	SEC
01	2020/1/20		初版	NakaShima	RD



APPROVAL	SPEC			FXC Inc.
	MATERIAL	SCALE	PRODUCT NAME	
	-	1:1	LEX	
DRAWING	FINISH	UNIT	TITLE	
	-	MM	外觀図 OPT-LEX-PC03-45	
		DATE	DWG No.	SHEET
		2020/1/20	A3-E11-0065-01	1/1

1

2

3

4

5

6

7

8