

1

2

3

4

5

6

7

8

REV	DATE	QUANTITY	DESCRIPTION	CHARGE	SEC
01	2023/1/7		初版	Soeda	PE

A

A

B

B

C

C

D

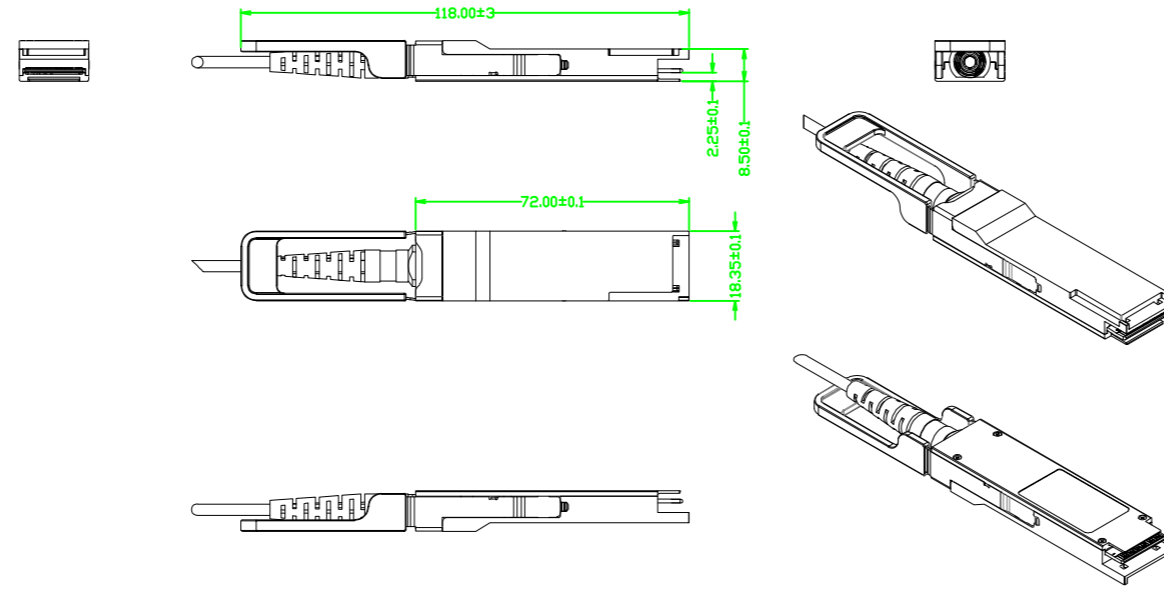
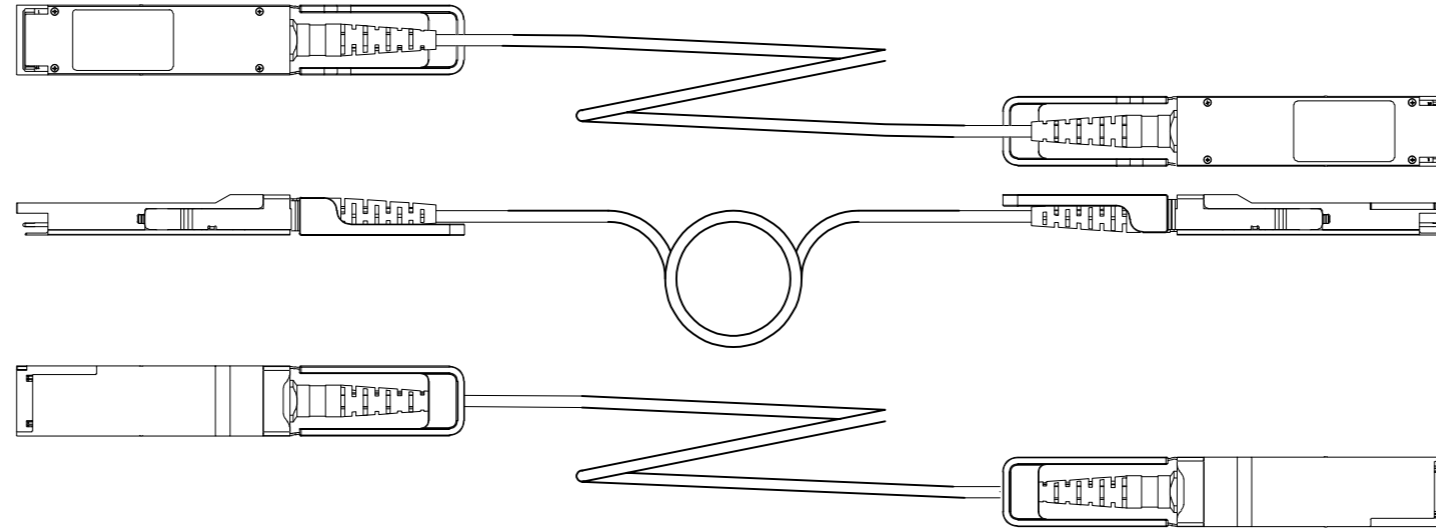
D

E

E

F

F



APPROVAL	SPEC			FXC Inc.
	MATERIAL	SCALE 1:2	PRODUCT NAME OPT-STCB02	
DRAWING	FINISH	UNIT MM	TITLE OPT-STCB02 外觀図	
		DATE 2023/1/7	DWG No. A3-E11-0104-01	SHEET 1/1

1

2

3

4

5

6

7

8