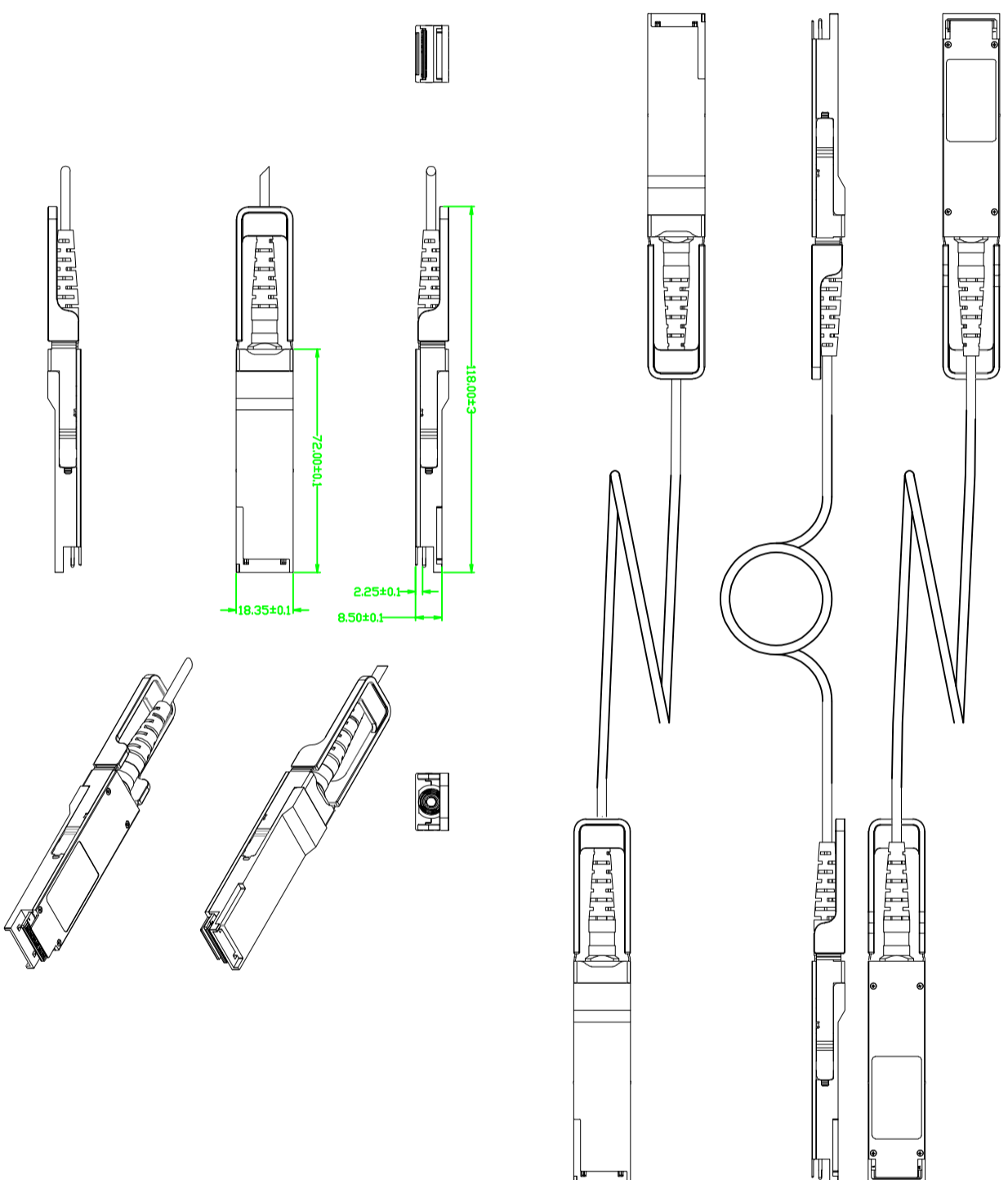



REV	DATE	QUANTITY	DESCRIPTION	CHARGE	SEC
01	2023/1/7		物販	Soeda	PE



APPROVAL	SPEC	 FXC Inc.			
MATERIAL					
DRAWING	FINISH	UNIT	TITLE	DWG No.	SHEET
	-	MM	DPT-STCB02 外觀圖	A3-E11-0104-01	1/1
		SCALE	PRODUCT NAME		
		1:2	DPT-STCB02		
		DATE			
		2023/1/7			