

1

2

3

4

5

6

7

8

REV	DATE	QUANTITY	DESCRIPTION	CHARGE	SEC
01	2023/1/7		初版	Soeda	PE

A

A

B

B

C

C

D

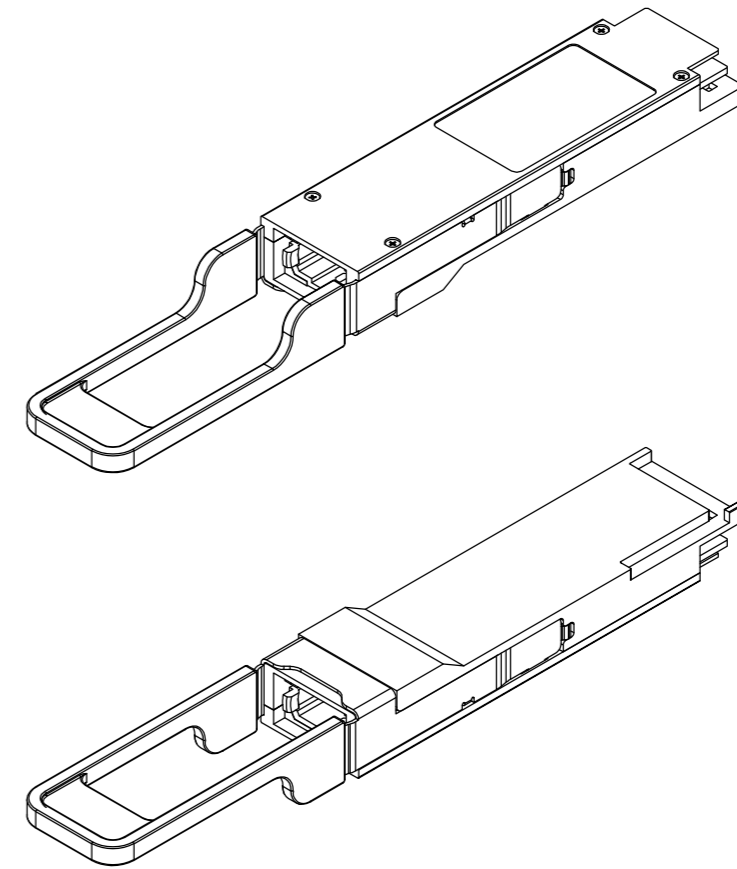
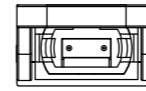
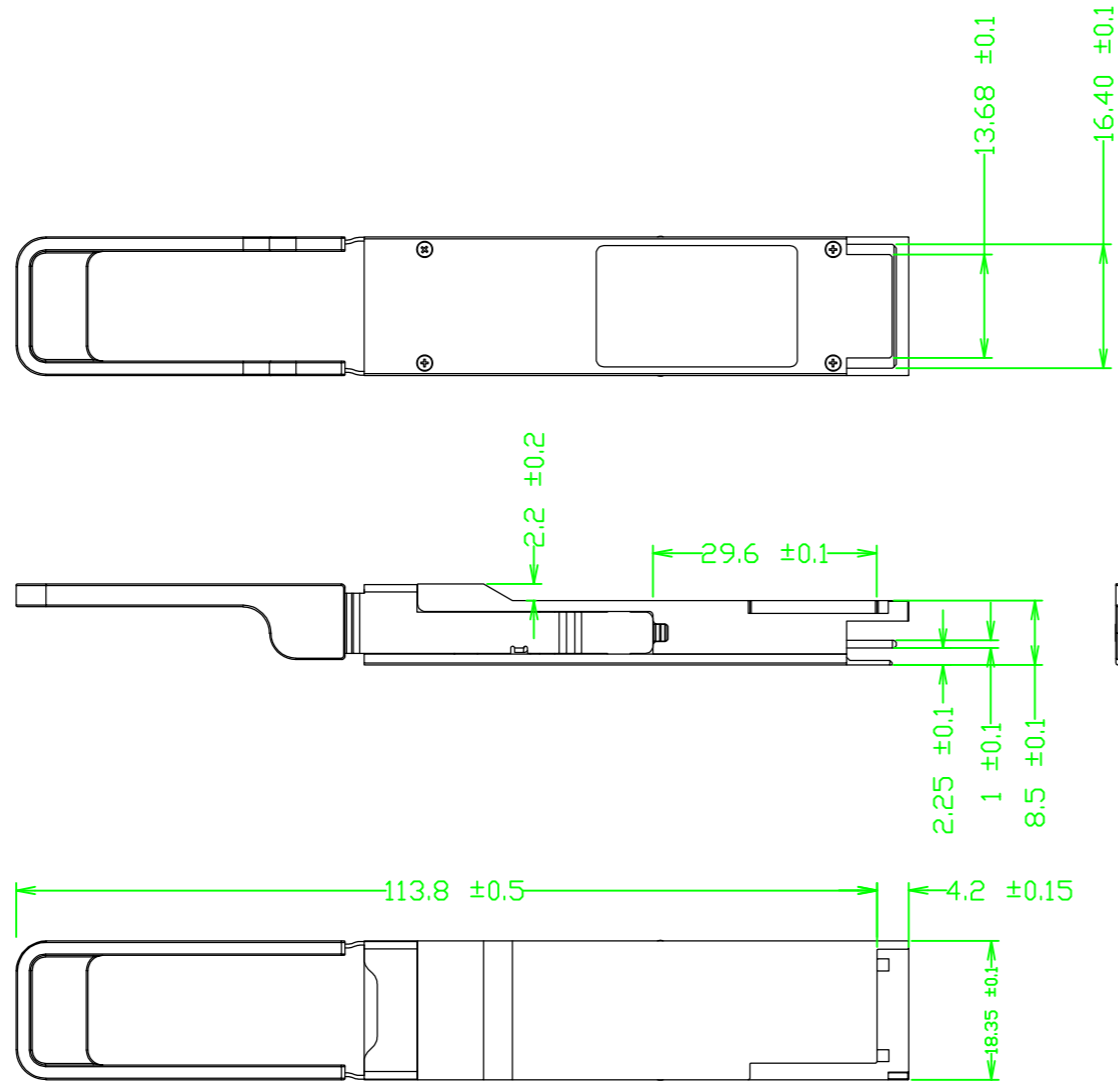
D

E

E

F

F



APPROVAL	SPEC			FXC Inc.	
	MATERIAL	SCALE	1:1	PRODUCT NAME	
	-	UNIT	MM	QSFP-40G-SR4	
DRAWING	FINISH	DATE	2023/1/7	TITLE	QSFP-40G-SR4 外觀図
	-	DWG No.	A3-E11-0103-01	SHEET	1/1

1

2

3

4

5

6

7

8