

1

2

3

4

5

6

7

8

REV	DATE	QUANTITY	DESCRIPTION	CHARGE	SEC
01	2024/10/21		初版	Soeda	PL

A

A

B

B

C

C

D

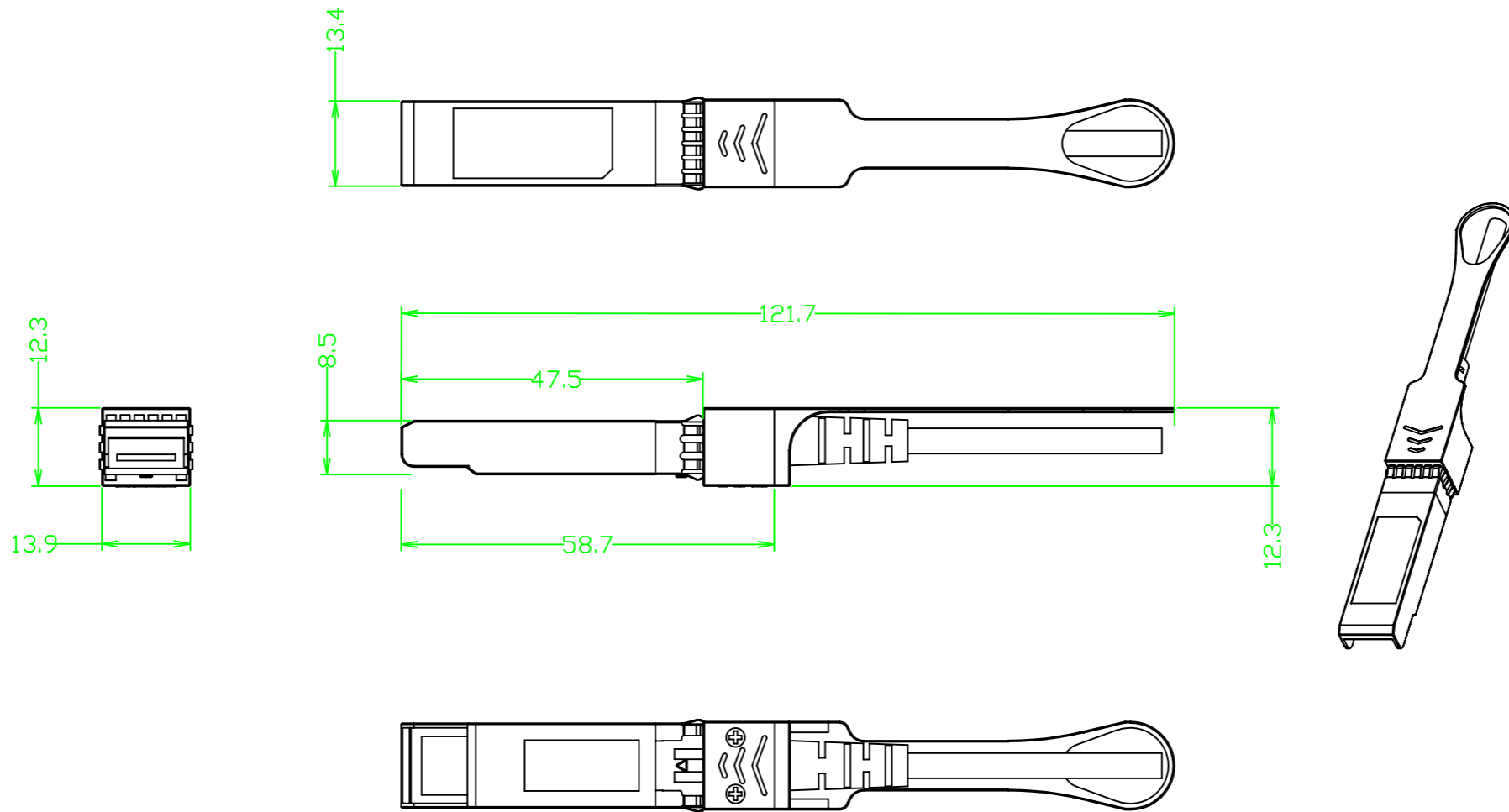
D

E

E

F

F



APPROVAL	SPEC		FXC Inc.	
	MATERIAL		SCALE	PRODUCT NAME
DRAWING	-	1:1	SFP+10G-CU1M/3M	
	FINISH	MM	TITLE	
	-	DATE	DWG No.	SHEET
		2024/10/21	A3-E11-0145-01	1/1

1

2

3

4

5

6

7

8