

1

2

3

4

5

6

7

8

REV	DATE	QUANTITY	DESCRIPTION	CHARGE	SEC
01	2022/12/15		初版	Soeda	PE

A

B

C

D

E

F

A

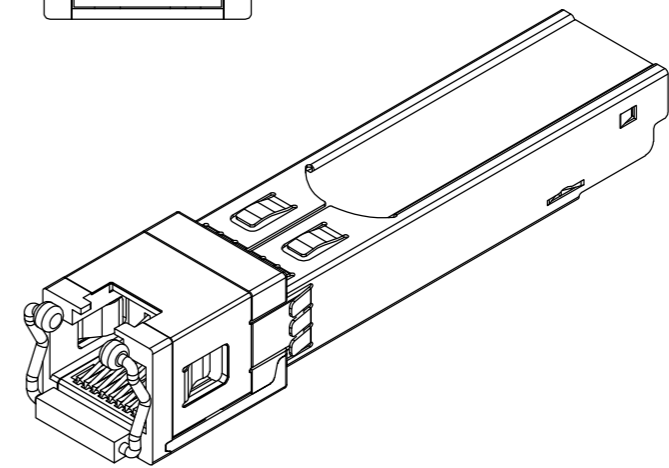
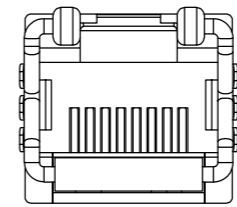
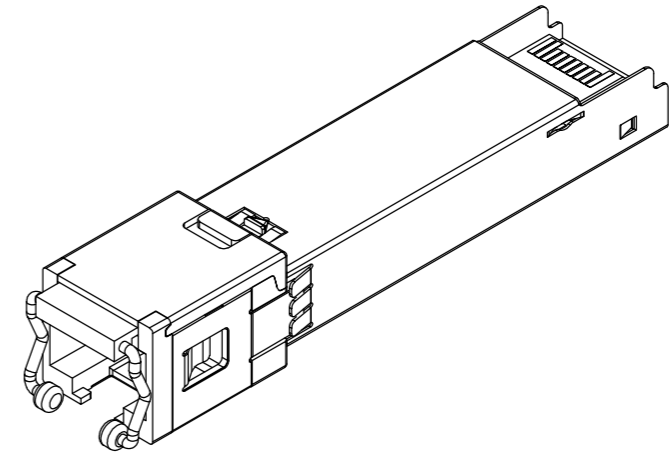
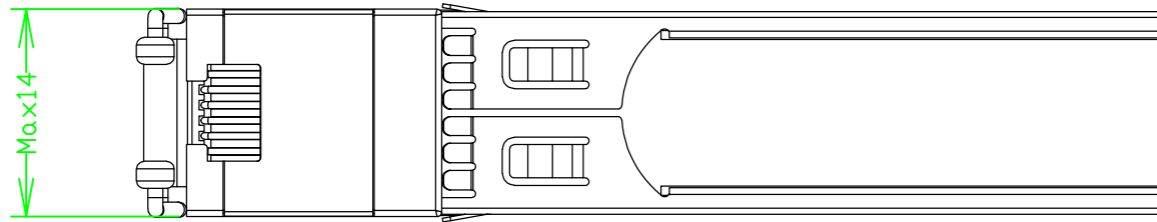
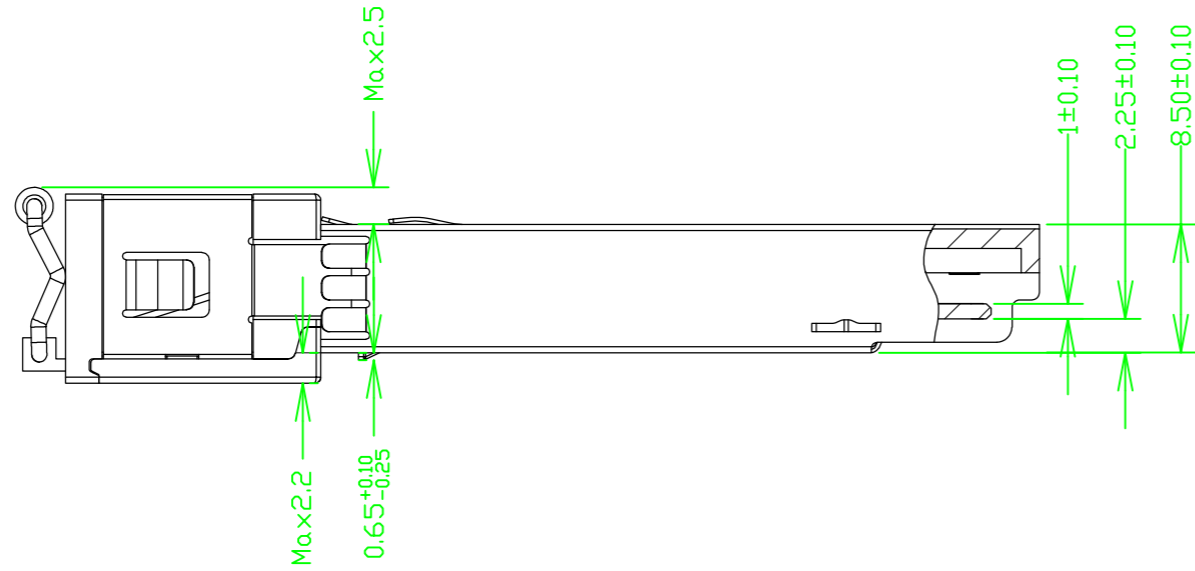
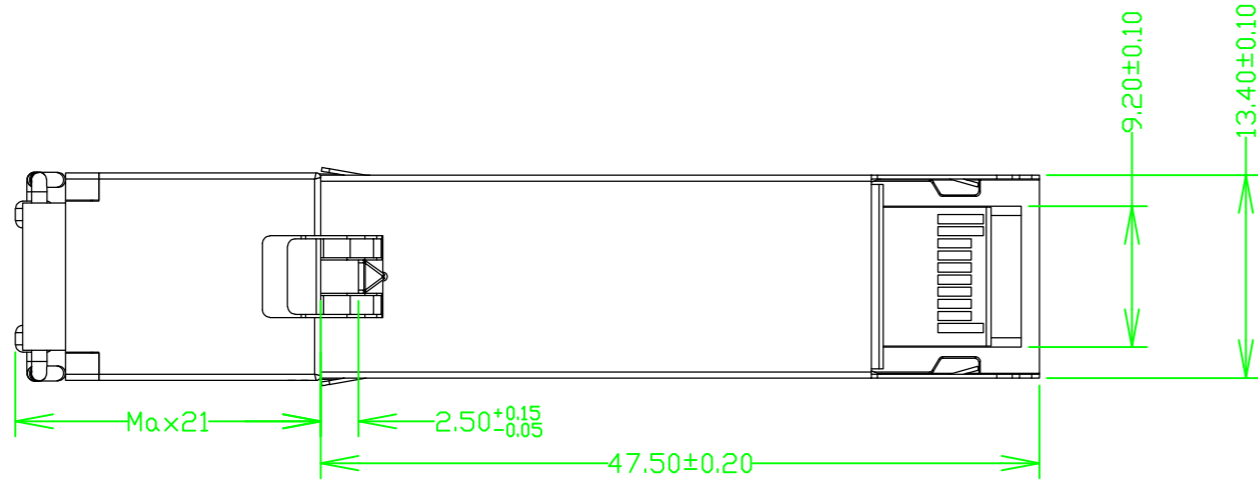
B

C

D

E

F



APPROVAL	SPEC			FXC Inc.
	MATERIAL	SCALE	PRODUCT NAME	
	-	2:1	SFP+10G-T	
DRAWING	FINISH	UNIT	TITLE	
	-	MM	SFP+10G-T 外觀圖	
		DATE	DWG No.	SHEET
		2022/12/15	A3-E11-0105-01	1/1

1

2

3

4

5

6

7

8