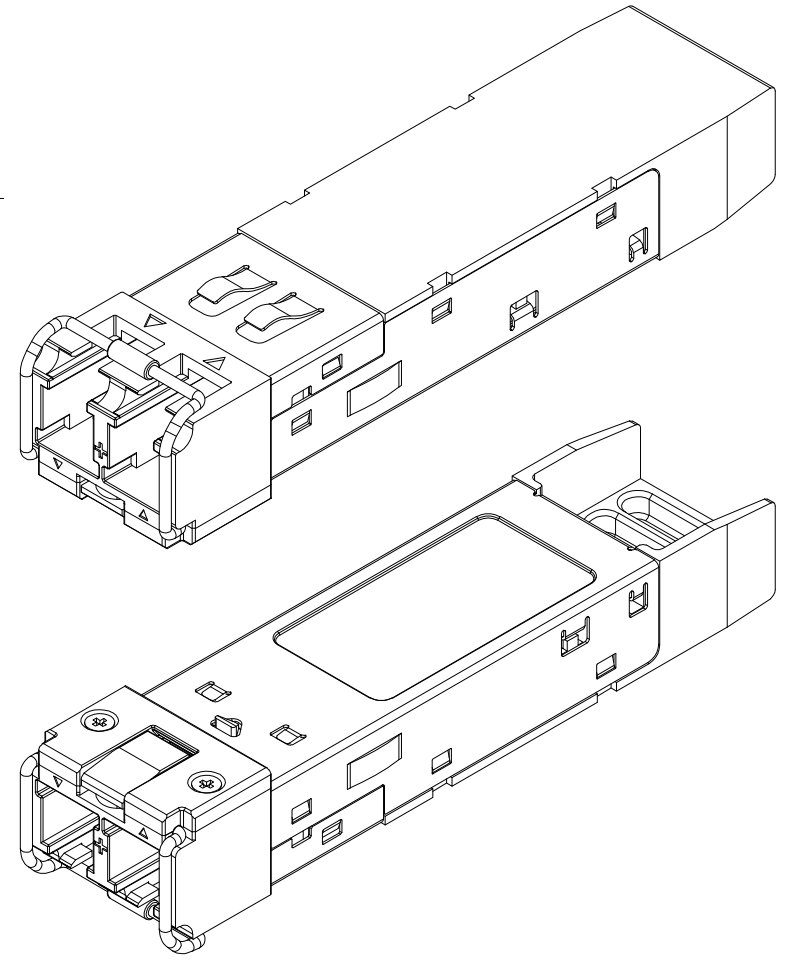
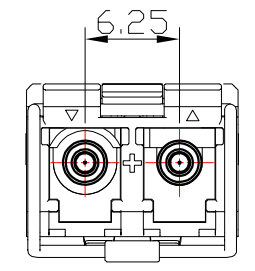
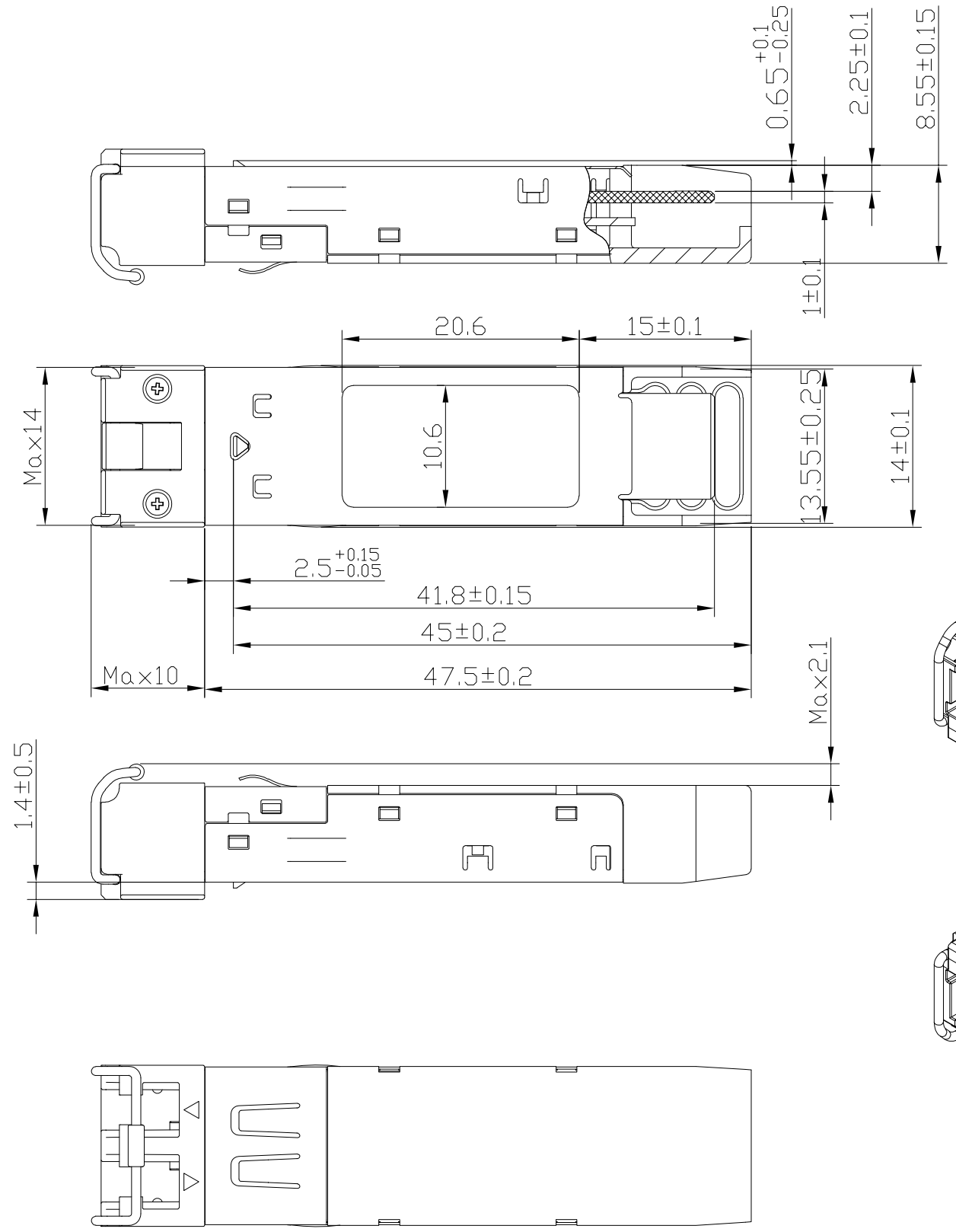


REV	DATE	QUANTITY	DESCRIPTION	CHARGE	SEC
01	20212/6		初版	Naka.shima	PE



Unremarked tolerances±0.2mm

APPROVAL	SPEC			FXC Inc.
	MATERIAL	SCALE	PRODUCT NAME	
	-	2:1	SFP+	
DRAWING	FINISH	UNIT	TITLE	
	-	MM	SFP+DWDM23-xx外觀図	
		DATE	DWG No.	SHEET
		2021/2/6	A3-E11-0081-01	1/1