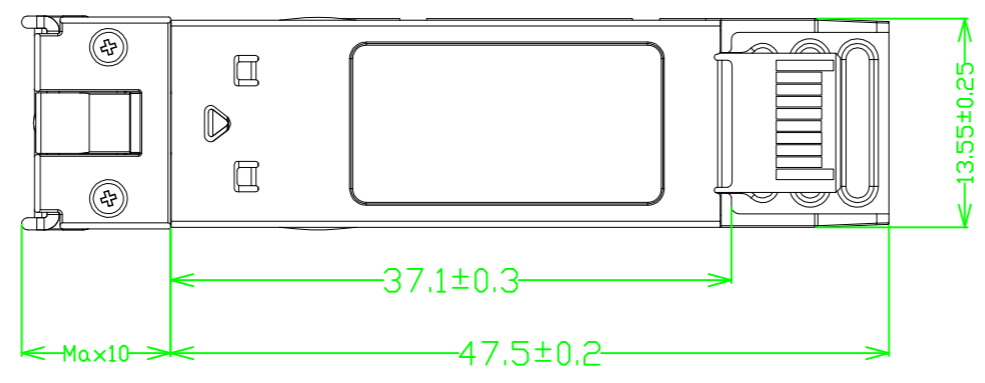
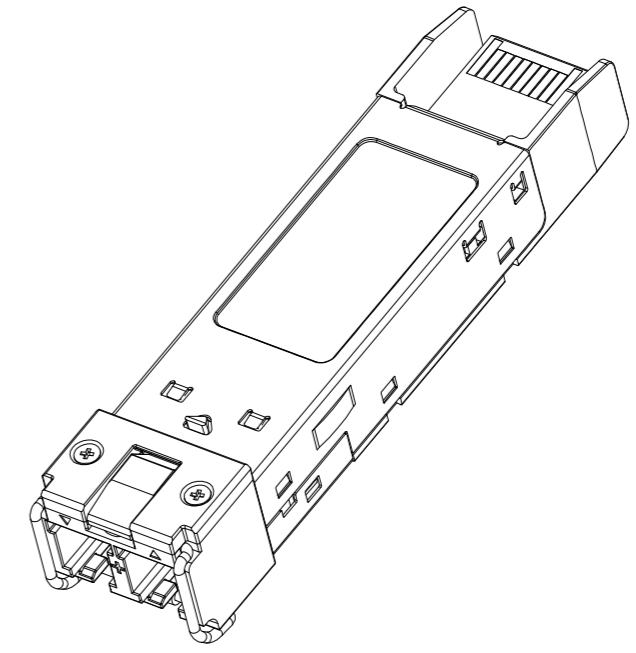
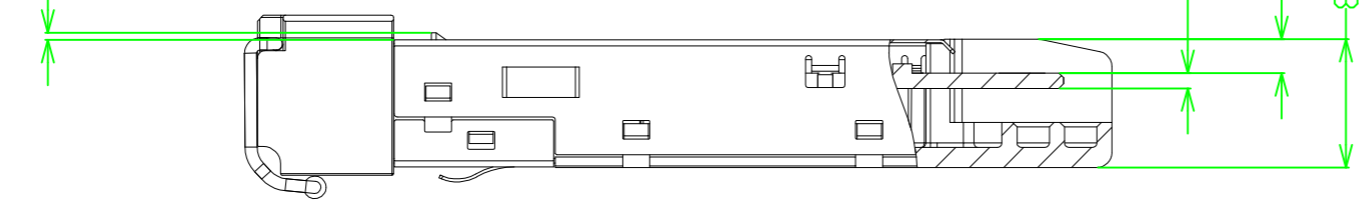
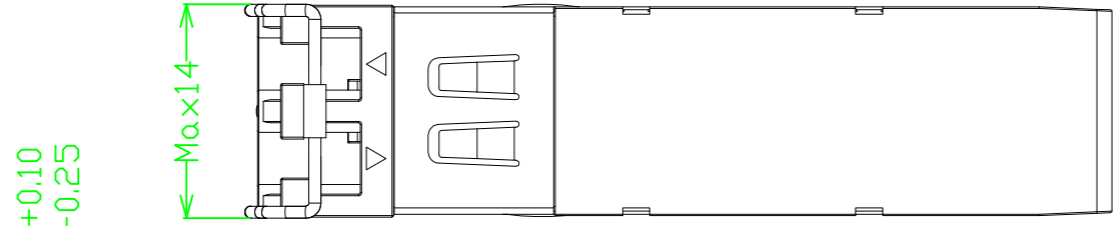
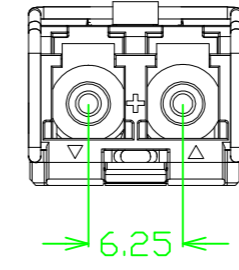
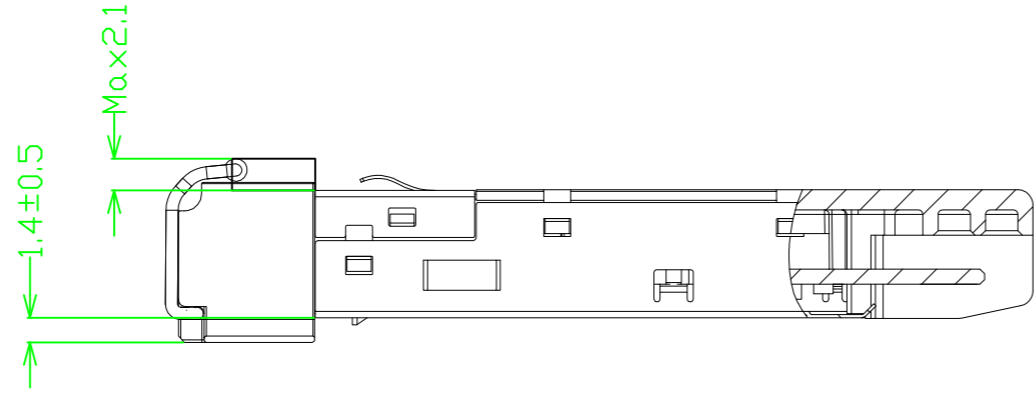


REV	DATE	QUANTITY	DESCRIPTION	CHARGE	SEC
01			初版		
02	2020/2/27		図面種, 図面番号, 外觀の変更	Nakashima	PE



APPROVAL	SPEC			FXC Inc.
	MATERIAL	SCALE 2:1	PRODUCT NAME SFP+	
DRAWING	FINISH	UNIT MM	TITLE SFP+2芯 外觀図	
		DATE 2020/2/27	DWG No. A3-E11-0066-02	SHEET 1/1