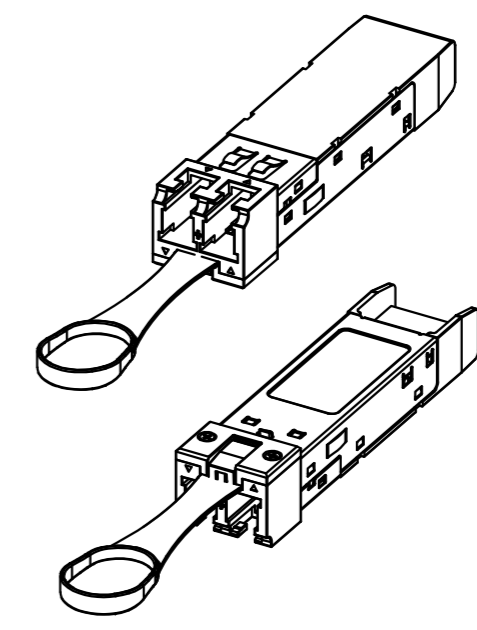
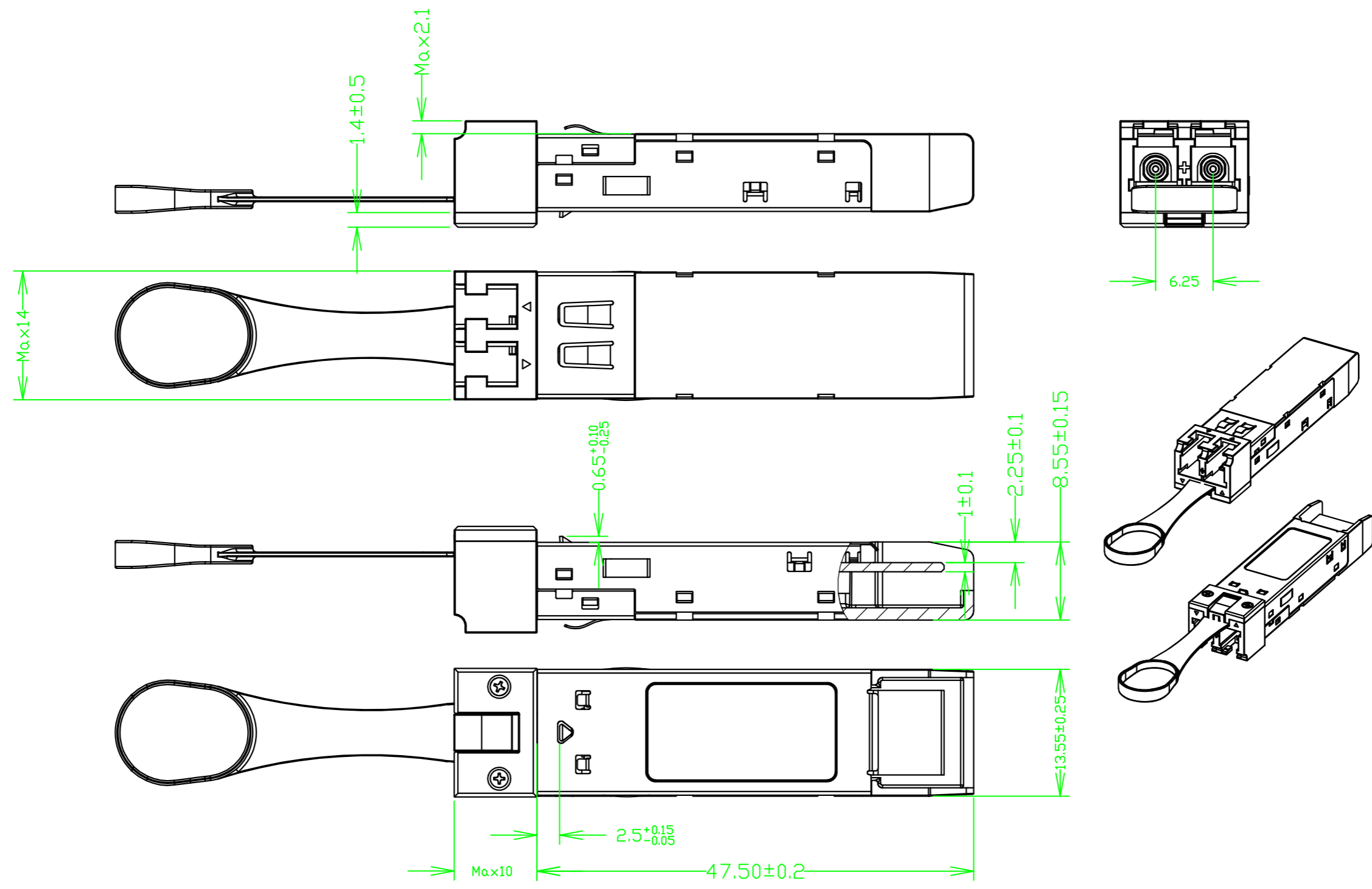


REV	DATE	QUANTITY	DESCRIPTION	CHARGE	SEC
01	2023/1/7		初版	Soeda	PE



APPROVAL	SPEC			FXC Inc.
	MATERIAL	SCALE 2:1	PRODUCT NAME SFP28-25G-SR	
DRAWING	FINISH	UNIT MM	TITLE SFP28-25G-SR 外觀図	
		DATE 2023/1/7	DWG No. A3-E11-0102-01	SHEET 1/1