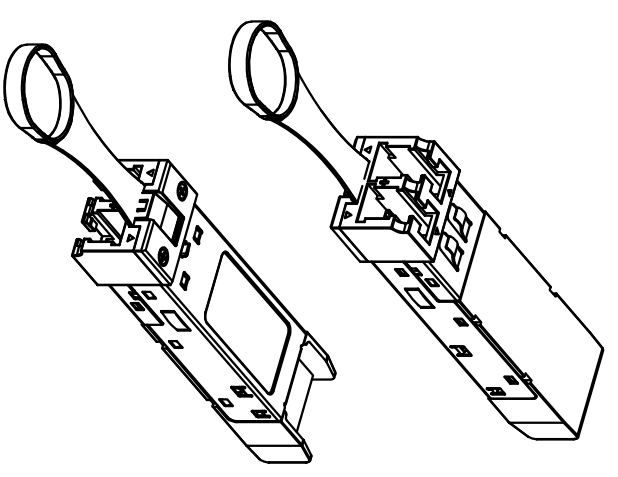
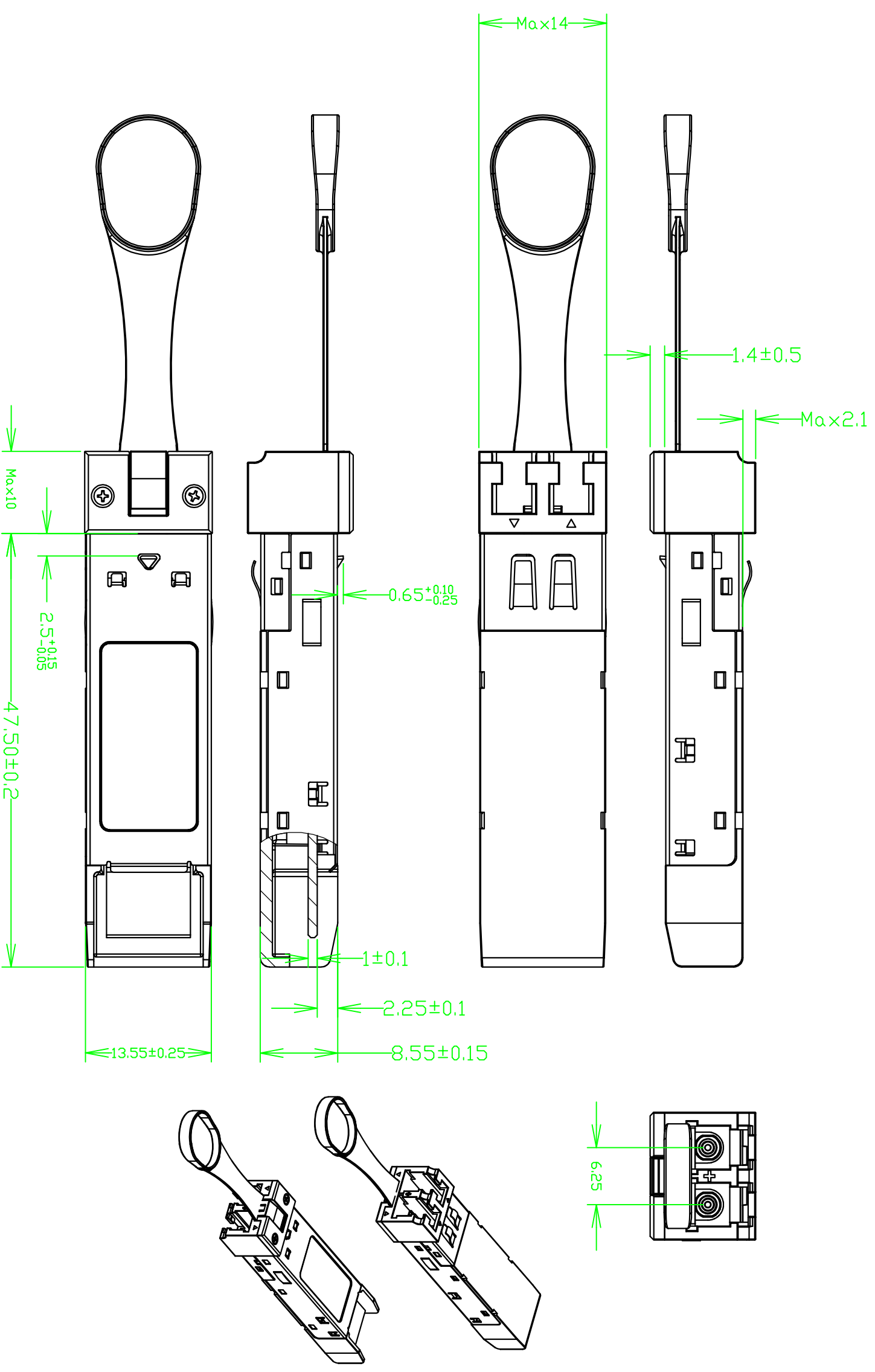


REV	DATE	QUANTITY	DESCRIPTION	CHARGE	SEC
01	2023/1/7		初版	Soeda	PE



APPROVAL	SPEC	SCALE	PRODUCT NAME	FXC Inc.
MATERIAL	-	2:1	SFP28-25G-SR	
DRAWING	FINISH	UNIT	TITLE	SFP28-25G-SR 外觀圖
-	-	MM	DWG No.	A3-E11-0102-01
		DATE		
		2023/1/7		
				SHEET
				1/1