

1

2

3

4

5

6

7

8

REV	DATE	QUANTITY	DESCRIPTION	CHARGE	SEC
01	2023/11/21		初版	Soeda	PD

A

A

B

B

C

C

D

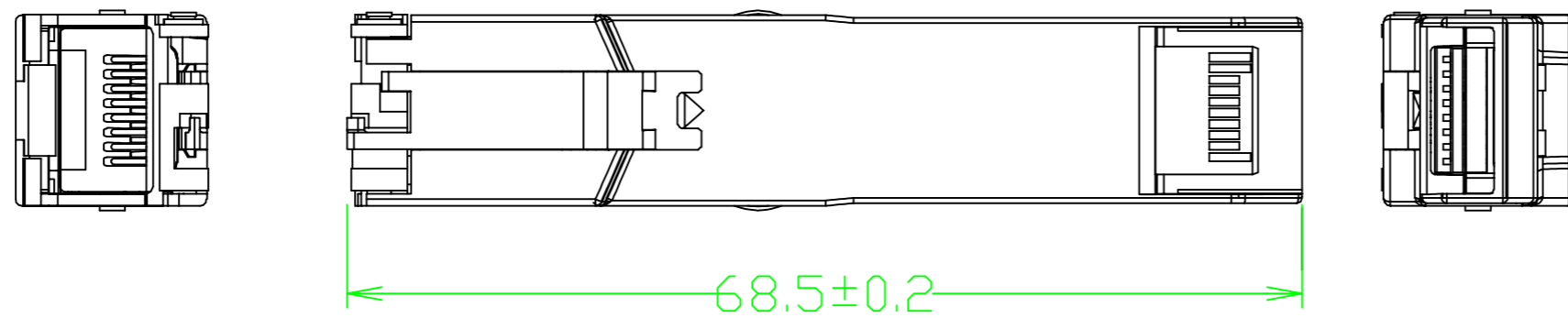
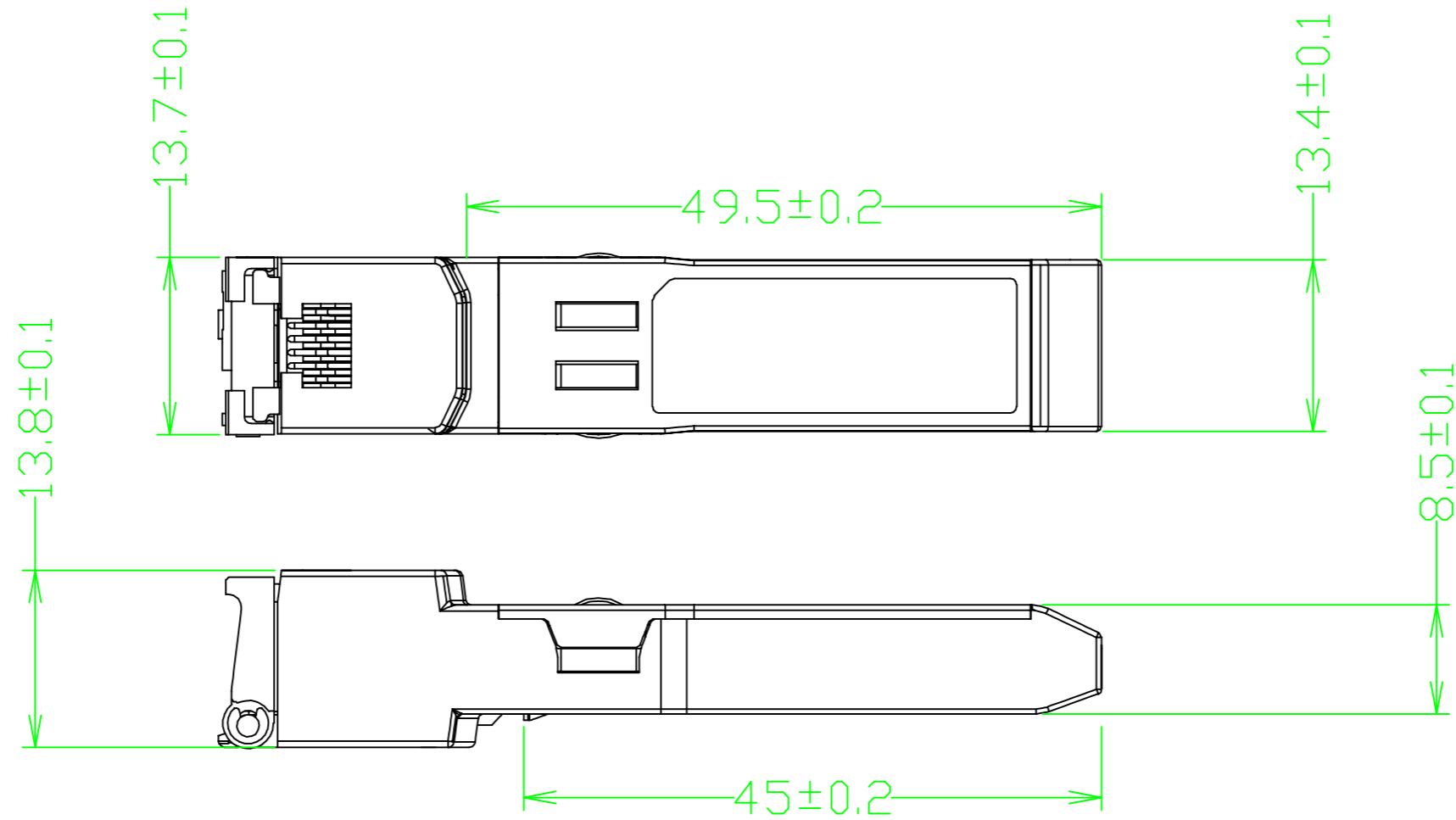
D

E

E

F

F



APPROVAL	SPEC			FXC Inc.	
	MATERIAL	SCALE	PRODUCT NAME		
	-	2:1	ISFP+10G-T		
DRAWING	FINISH	UNIT	TITLE		
	-	MM	ISFP+10G-T外觀図		
		DATE	DWG No.		SHEET
		2023/11/21	A3-E11-0105-01		1/1

1

2

3

4

5

6

7

8