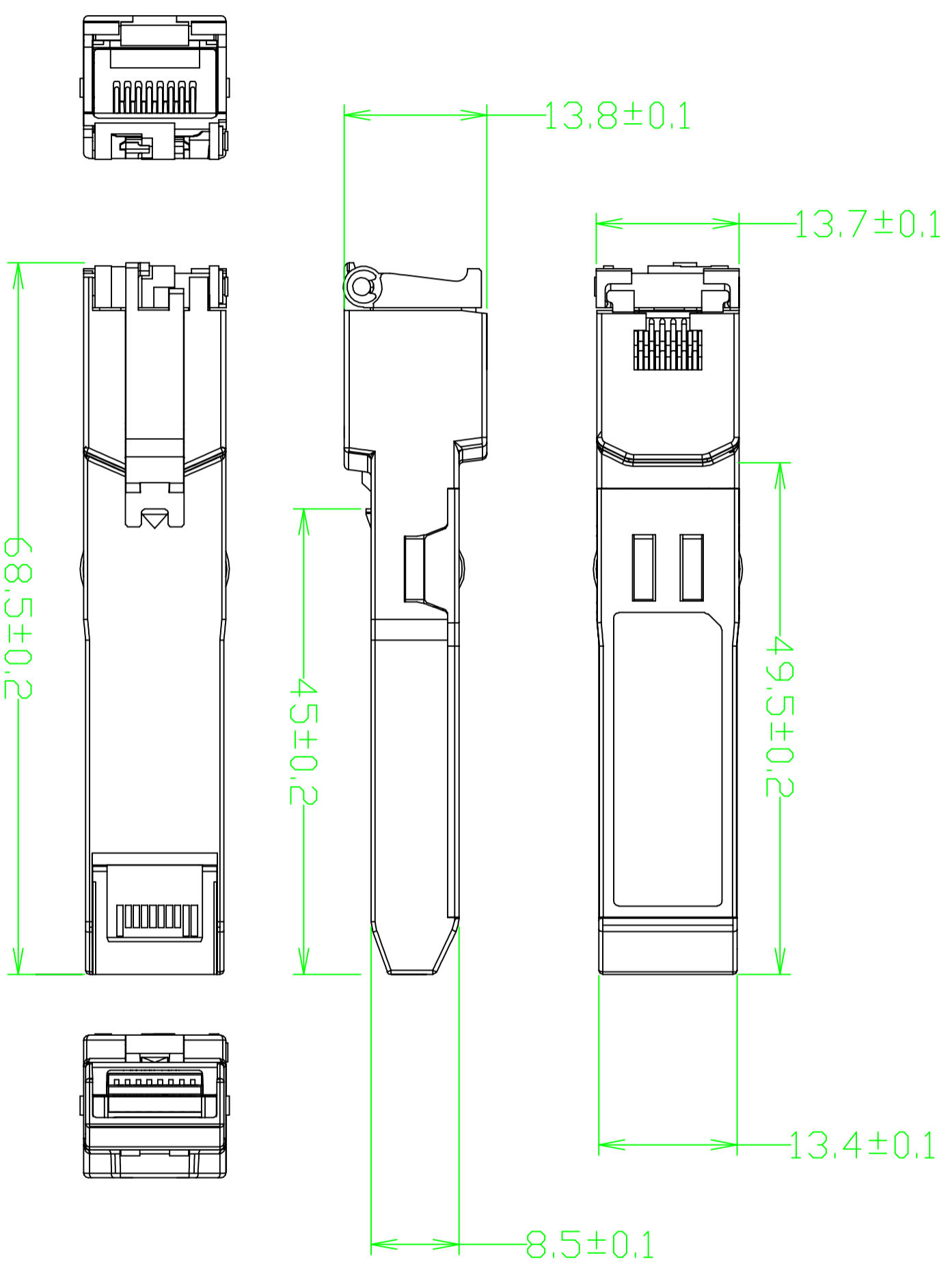



REV	DATE	QUANTITY	DESCRIPTION	CHARGE	SEC
01	2023/11/21		初版	Soeda	PD



APPROVAL	SPEC	 FXC Inc.
DRAWING	MATERIAL	
FINISH	-	SCALE
-	-	2:1
		UNIT
		MM
		DATE
		2023/11/21
		DWG No.
		A3-E11-0105-01
		TITLE
		SFP+10G-T 外觀圖
		SHEET
		1/1